




# REMOVAL PROCEDURE



## S E R V I C E M A N U A L

### 24000 Btu/h Class

-  Outdoor Unit
-  Non-inverter
-  Pair Type



# **Service Manual Removal Procedure**

## **Outdoor Unit**

●Cooling Only  
RE24GV2S

# Table of Contents

1. Removal of Outer Panels .....	2
2. Removal of Fan Motor / Outdoor Fan .....	5
3. Removal of Electrical Components ASSY .....	7
4. Removal of Sound Blankets.....	11
5. Removal of Compressor .....	12

# 1. Removal of Outer Panels

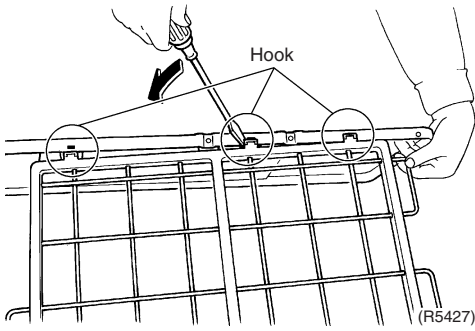
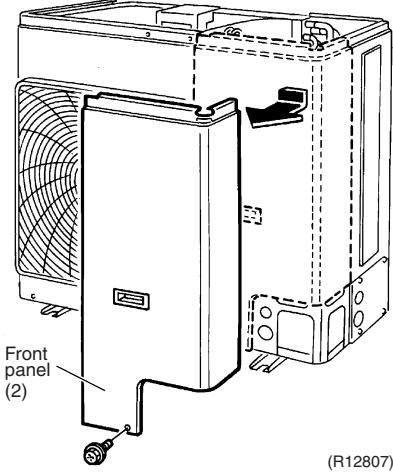
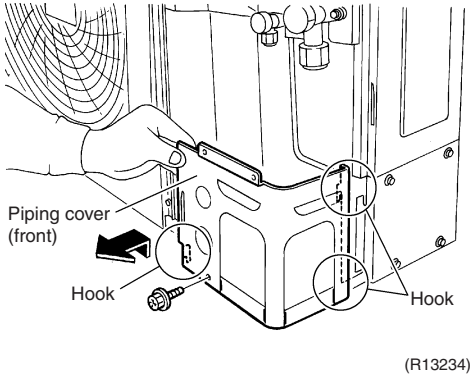
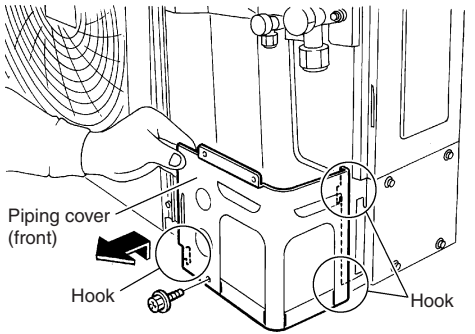
**Procedure**



**Warning**

Be sure to wait 10 minutes or more after turning off all power supplies before disassembling work.

Step	Procedure	Points
1. Remove the top panel.	<p>(R5423)</p>	
1 Remove the 8 screws of the top panel.	<p>(R5424)</p>	
2 Pull the suction grille to unfasten the hook.	<p>(R5425)</p>	<ul style="list-style-type: none"> <li>Take care not to cut your finger by the fins of the outdoor heat exchanger.</li> </ul>
3 Lift up and remove the top panel.	<p>(R5426)</p>	

Step	Procedure	Points
4	Unfasten the hooks with a flat screwdriver and remove the suction grille.	
2. Remove the front panel (2).		  <p data-bbox="1094 1160 1455 1220">■ When reassembling, fit the 5 hooks.</p>
3. Remove the piping cover (front).	1 Remove the screw and remove the piping cover (front).	
1		

Step	Procedure	Points
4. Remove the front panel (1).	<p>Front panel (1)</p> <p>(R12810)</p> <p>(R5432)</p> <p>(R8322)</p>	
1	Remove the 6 screws and remove the front panel (1).	

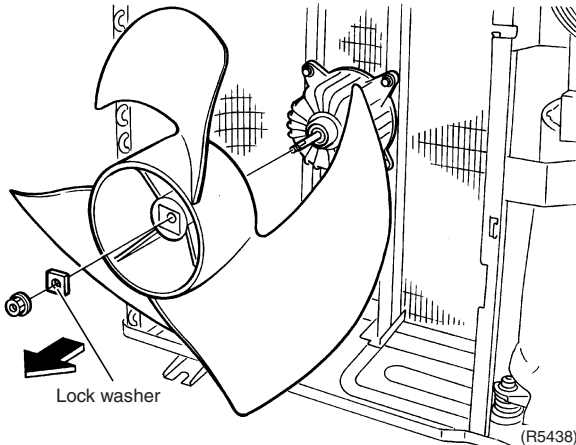
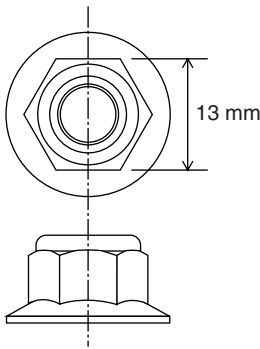
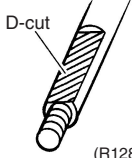
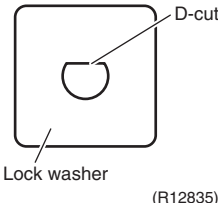
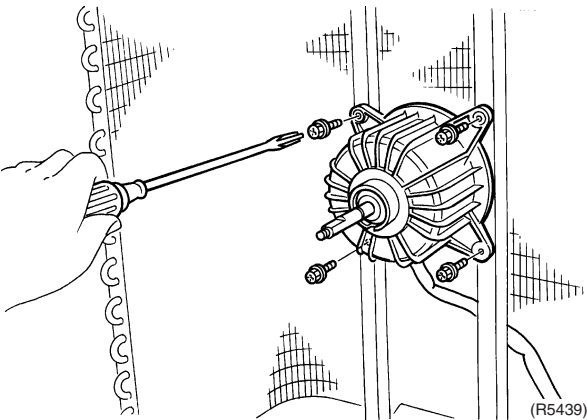
## 2. Removal of Fan Motor / Outdoor Fan

**Procedure**



**Warning** Be sure to wait 10 minutes or more after turning off all power supplies before disassembling work.

Step	Procedure	Points
1. Disconnect the each wire harness.	<p>(R8330)</p>	<p><b>Preparation</b></p> <ul style="list-style-type: none"> <li>Remove the front panel according to the "Removal of the Outer Panels".</li> </ul>
1 Disconnect the relay connector for the fan motor.		
2 Disconnect the 2 terminals for the fan motor capacitor (C1).	<p>Fan motor capacitor (C1)</p> <p>White</p> <p>Red</p> <p>(R12811)</p>	
3 Unfasten the hook with a flat screwdriver.	<p>Hook</p> <p>(R5436)</p>	<ul style="list-style-type: none"> <li>Put the fan motor lead wire through the back of the fan motor when reassembling so as not to be entangled with the outdoor fan.</li> </ul>
4 Release the fan motor lead wire from the partition plate.	<p>Partition plate</p> <p>Lead wire</p> <p>Outdoor fan</p> <p>(R12812)</p> <p>(R3249)</p>	

Step	Procedure	Points
2. Remove the outdoor fan.		<ul style="list-style-type: none"> <li>■ Nut size : M8</li> </ul>  <ul style="list-style-type: none"> <li>■ When reassembling, fit the D-cuts of the lock washer and the shaft of fan motor.</li> </ul>  
3. Remove the fan motor.		<ul style="list-style-type: none"> <li>■ Be sure to remove the lower screws first. If the upper screws are removed first, the fan motor may tilt or fall because the center of its gravity is toward the front. It may cause injuries.</li> </ul>



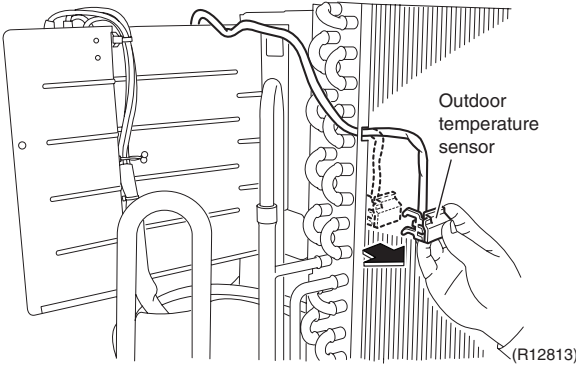
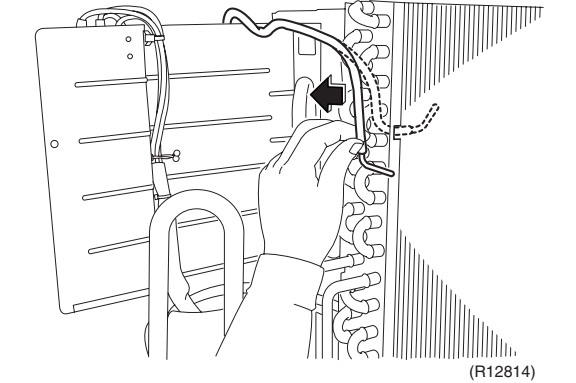
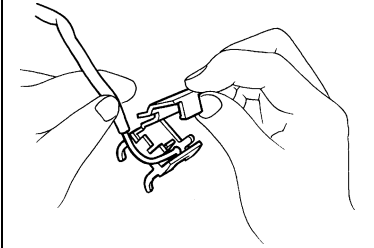
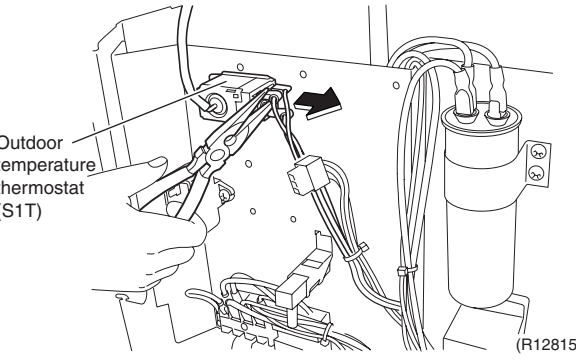
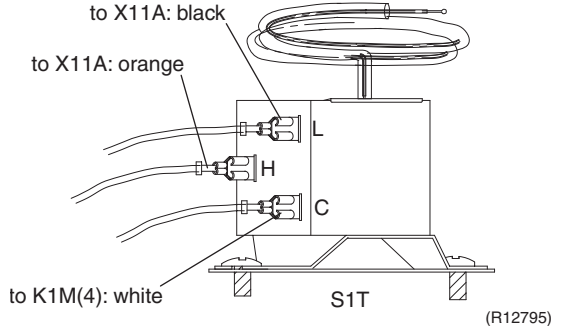
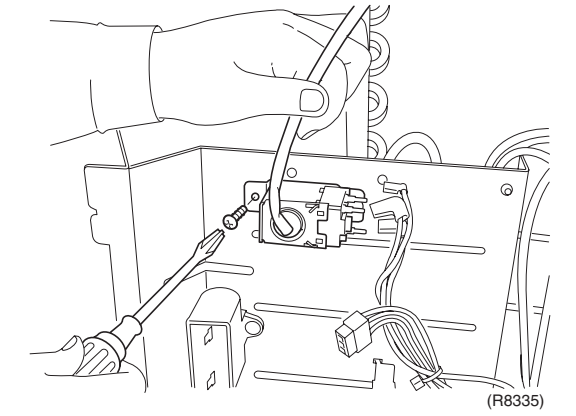
# 3. Removal of Electrical Components ASSY

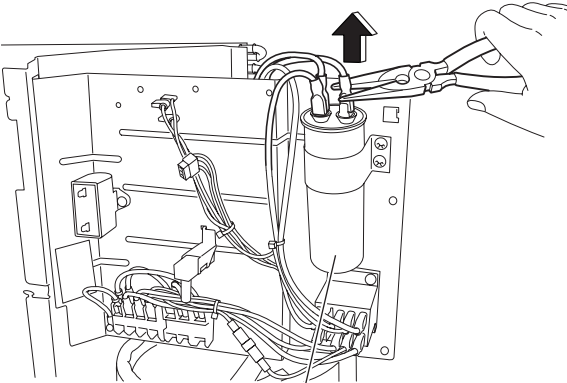
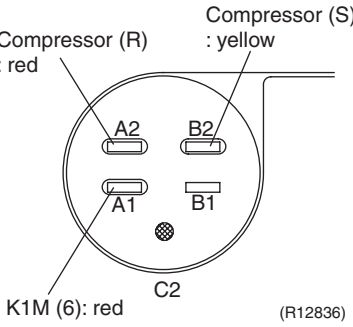
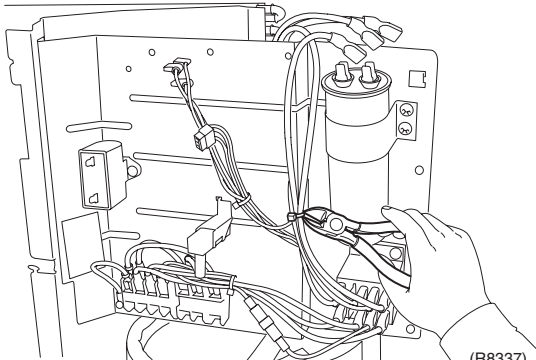
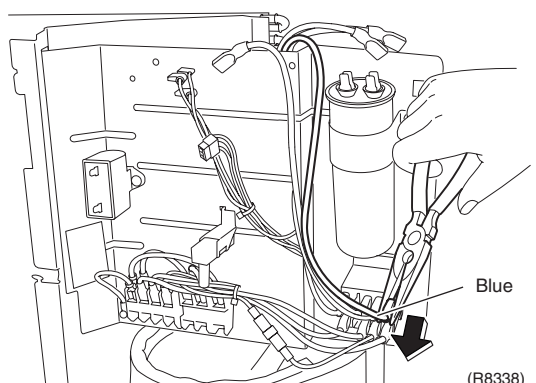
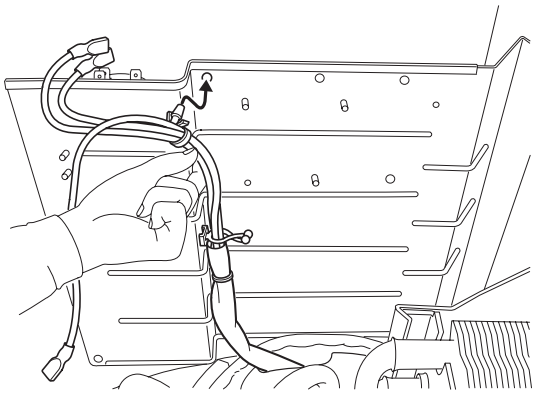
**Procedure**

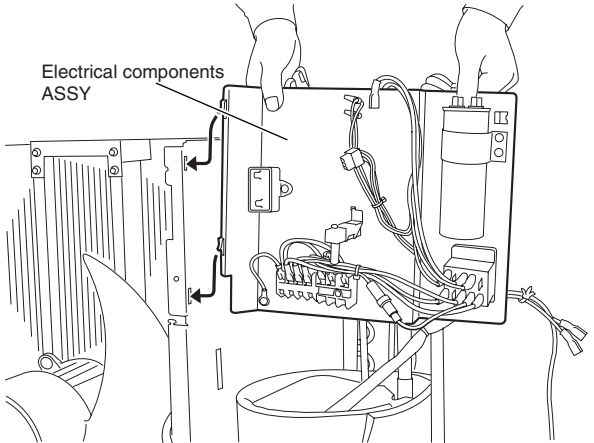


**Warning** Be sure to wait 10 minutes or more after turning off all power supplies before disassembling work.

Step	Procedure	Points
1. Remove the side panel.	<p>Side panel</p> <p>(R5440)</p> <p>Side panel</p> <p>(R8333)</p> <p>Hook</p> <p>(R5442)</p>	<p><b>Preparation</b></p> <ul style="list-style-type: none"> <li>Remove the top panel, front panel (1) (2), and piping cover (front) according to the "Removal of Outer Panels".</li> </ul>

Step	Procedure	Points
2. Remove the outdoor temperature thermostat.	 <p>Outdoor temperature sensor</p> <p>(R12813)</p>  <p>(R12814)</p>	 <p>■ Remove the sensor fixing plate.</p>
2 Disconnect the terminals of the outdoor temperature thermostat (S1T).	 <p>Outdoor temperature thermostat (S1T)</p> <p>(R12815)</p>  <p>to X11A: black</p> <p>to X11A: orange</p> <p>L</p> <p>H</p> <p>C</p> <p>to K1M(4): white</p> <p>S1T</p> <p>(R12795)</p>	
3 Remove the screw and remove the outdoor temperature thermostat.	 <p>(R8335)</p>	

Step	Procedure	Points	
3. Remove the capacitor.			
1	Disconnect the terminals from the capacitor (C2).		
4. Disconnect the each wire harness.			
1	Cut the clamp.		
2	Disconnect the blue terminal: K1M (2).		
3	Detach the clamp for the compressor lead wire (rear side).		

Step	Procedure	Points
<p>5. Remove the electrical components ASSY.</p>	 <p>Electrical components ASSY</p> <p>(R12817)</p>	
<p>1 Lift the electrical components ASSY to unfasten the 2 hooks and remove it.</p>		

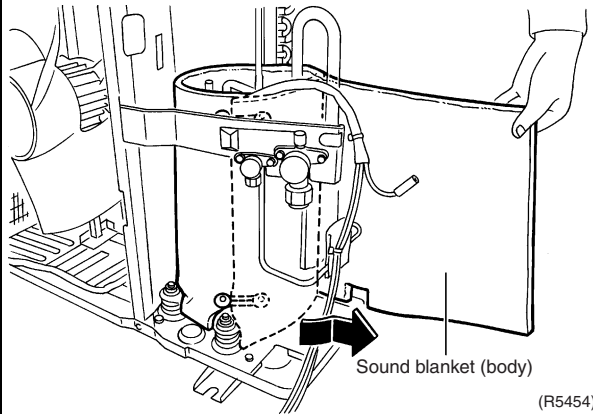
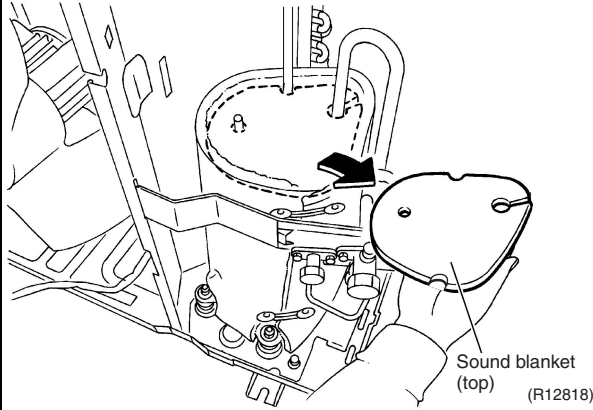
## 4. Removal of Sound Blankets

### Procedure



**Warning** Be sure to wait 10 minutes or more after turning off all power supplies before disassembling work.

Step	Procedure	Points
1	Remove the sound blanket (top).	<p><b>Preparation</b></p> <ul style="list-style-type: none"> <li>■ Remove the electrical box according to the "Removal of Electrical Components ASSY".</li> <li>■ Since the piping ports on the sound blanket are torn easily, remove the blanket carefully.</li> </ul>
2	Remove the sound blanket (body).	



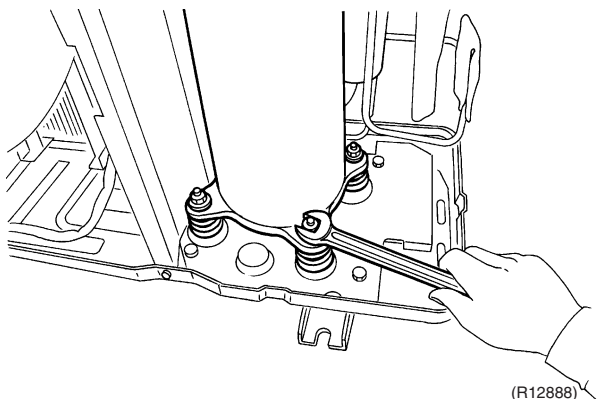
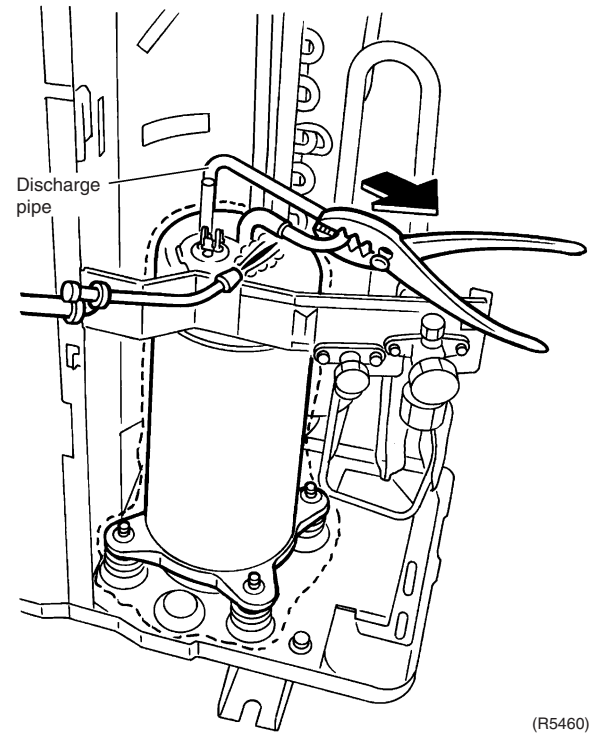
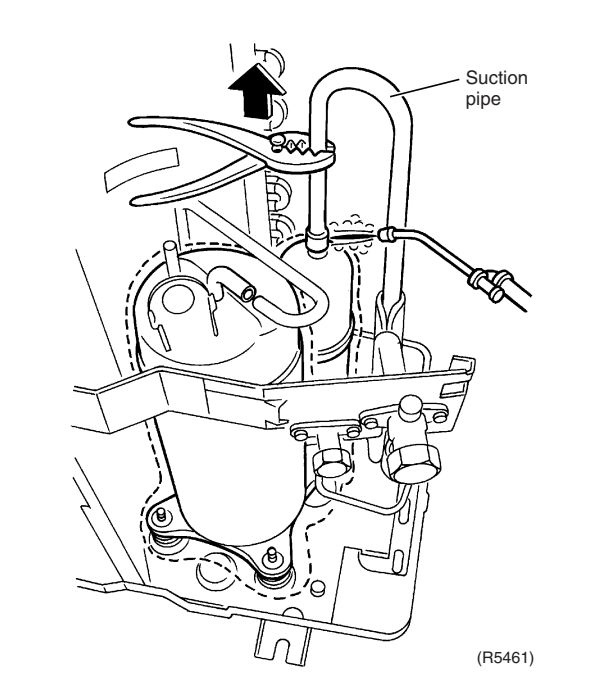
# 5. Removal of Compressor

**Procedure**



**Warning** Be sure to wait 10 minutes or more after turning off all power supplies before disassembling work.

Step	Procedure	Points
1	Remove the terminal cover.	<p>Terminal cover</p> <p>(R5455)</p> <p>Terminal cover fixture</p> <p>(R5456)</p>
2	Disconnect the compressor lead wires.	<p>■ Be careful so as not to burn the compressor terminals or the name plate.</p> <p>Red (R)</p> <p>Blue (C)</p> <p>Yellow (S)</p> <p>(R5457)</p> <p>(R12819)</p>
3	Remove the gasket.	<p>S : Yellow C : Blue R : Red</p> <p>Gasket</p> <p>(R5458)</p>

Step	Procedure	Points
4	Remove the 4 nuts of the compressor.	<p><b>Warning</b> Be careful not to get yourself burnt with the pipes and other parts that are heated by the gas brazing machine.</p>
<ul style="list-style-type: none"> <li>■ Before working, make sure that the refrigerant is empty in the circuit.</li> <li>■ Be sure to apply nitrogen replacement when heating up the brazed part.</li> </ul>	 <p style="text-align: right;">(R12888)</p>	<p><b>Warning</b> If the refrigerant gas leaks during work, ventilate the room. (If the refrigerant gas is exposed to flames, toxic gas may be generated.)</p>
5	Heat up the brazed part of the discharge side and disconnect.	<p><b>Warning</b> Since it may happen that the refrigerant oil in the compressor catches fire, prepare wet cloth so as to extinguish fire immediately.</p>
6	Heat up the brazed part of the suction side and disconnect.	<p><b>Caution</b> From the viewpoint of global environment protection, do not discharge the refrigerant gas in the atmosphere. Make sure to collect all the refrigerant gas.</p>
<p><b>Note:</b></p> <ul style="list-style-type: none"> <li>■ Do not use a metal saw for cutting pipes by all means because the sawdust comes into the circuit.</li> <li>■ When withdrawing the pipes, be careful not to pinch them firmly with pliers. The pipes may get deformed.</li> <li>■ Provide a protective sheet or a steel plate so that the brazing flame cannot influence peripheries.</li> <li>■ Be careful so as not to burn the compressor terminals, the name plate, the heat exchanger fin.</li> </ul>	 <p style="text-align: right;">(R5460)</p>  <p style="text-align: right;">(R5461)</p>	<p><b>Cautions for restoration</b></p> <ol style="list-style-type: none"> <li>1. Restore the piping by non-oxidation brazing.</li> <li>2. It is required to prevent the carbonization of the oil inside the four way valve and the deterioration of the gaskets affected by heat. (Keep below 120°C.) For the sake of this, wrap the four way valve with wet cloth and provide water so that the cloth does not dry.</li> </ol> <p><b>In case of difficulty with gas brazing machine</b></p> <ol style="list-style-type: none"> <li>1. Disconnect the brazed part where is easy to disconnect and restore.</li> <li>2. Cut pipes on the main unit with a tube cutter in order to make it easy to disconnect.</li> </ol>

# Revision History

Month / Year	Version	Revised contents
02 / 2013	Si01-981	First edition



Warning



- Daikin products are manufactured for export to numerous countries throughout the world. Prior to purchase, please confirm with your local authorised importer, distributor and/or retailer whether this product conforms to the applicable standards, and is suitable for use, in the region where the product will be used. This statement does not purport to exclude, restrict or modify the application of any local legislation.
- Ask a qualified installer or contractor to install this product. Do not try to install the product yourself. Improper installation can result in water or refrigerant leakage, electrical shock, fire or explosion.
- Use only those parts and accessories supplied or specified by Daikin. Ask a qualified installer or contractor to install those parts and accessories. Use of unauthorised parts and accessories or improper installation of parts and accessories can result in water or refrigerant leakage, electrical shock, fire or explosion.
- Read the User's Manual carefully before using this product. The User's Manual provides important safety instructions and warnings. Be sure to follow these instructions and warnings.

If you have any enquiries, please contact your local importer, distributor and/or retailer.

### Cautions on product corrosion

1. Air conditioners should not be installed in areas where corrosive gases, such as acid gas or alkaline gas, are produced.
2. If the outdoor unit is to be installed close to the sea shore, direct exposure to the sea breeze should be avoided. If you need to install the outdoor unit close to the sea shore, contact your local distributor.

### Dealer

### **DAIKIN INDUSTRIES, LTD.**

Head Office:  
Umeda Center Bldg., 2-4-12, Nakazaki-Nishi,  
Kita-ku, Osaka, 530-8323 Japan

Tokyo Office:  
JR Shinagawa East Bldg., 2-18-1, Konan,  
Minato-ku, Tokyo, 108-0075 Japan

[http://www.daikin.com/global\\_ac/](http://www.daikin.com/global_ac/)

©All rights reserved