


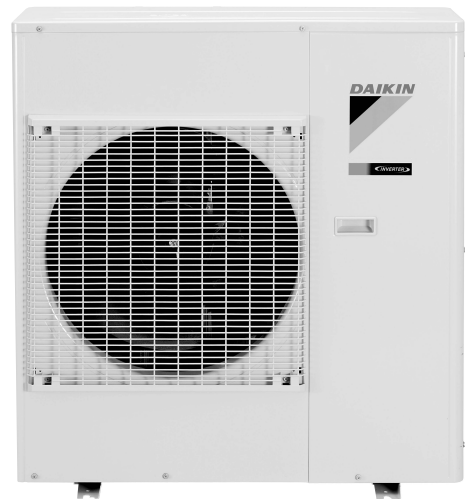
REMOVAL PROCEDURE



S E R V I C E M A N U A L

10.0 kW Class 30000/36000 Btu/h Class

-  Outdoor Unit
-  Inverter
-  Pair Type



Service Manual Removal Procedure

Outdoor Unit

●Heat Pump

**RXS30HVJU
RXS36HVJU**

RXS100HVMA

RXS100JVMA

Table of Contents

1. Removal of Outer Panels (Pattern 1)	2
2. Removal of Outer Panels (Pattern 2)	11
3. Removal of Electrical Box	20
4. Removal of PCBs	24
5. Removal of Fan Motor	27
6. Removal of Coils / Thermistors	28
7. Removal of Sound Blankets	31
8. Removal of Compressor	33



Note:

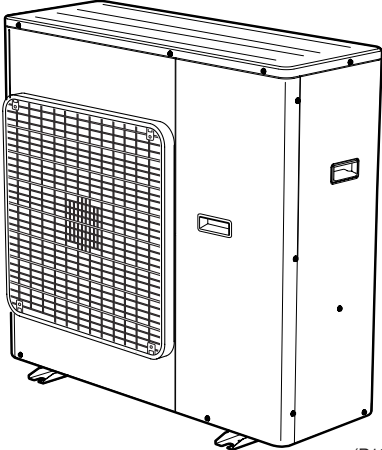
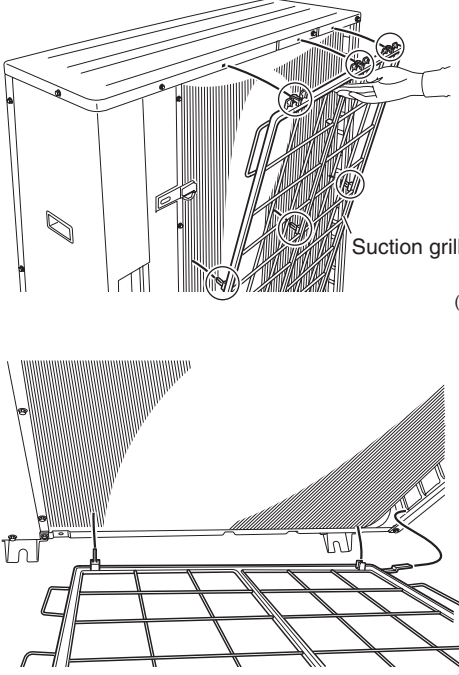
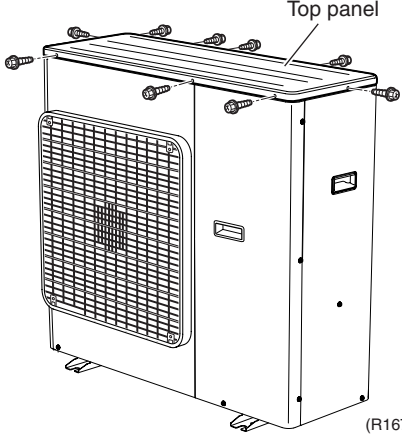
♦ The illustrations may be slightly different depending on the model.

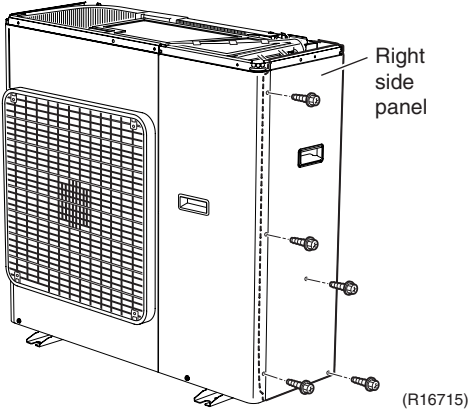
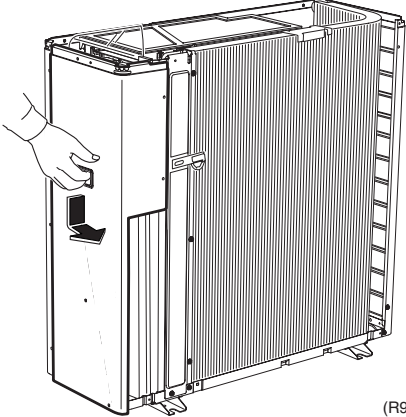
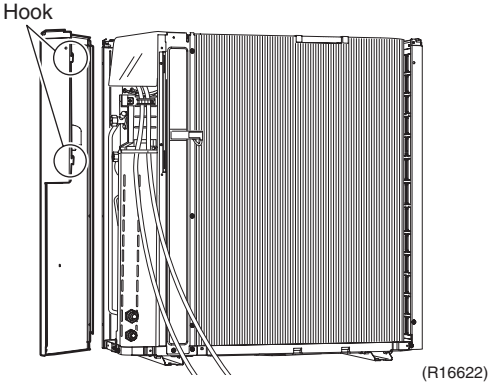
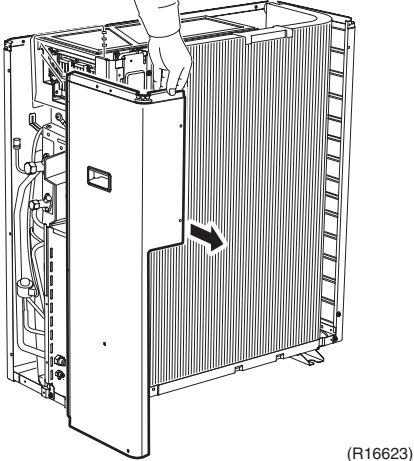
1. Removal of Outer Panels (Pattern 1)

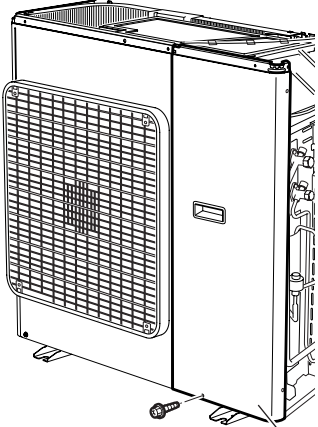
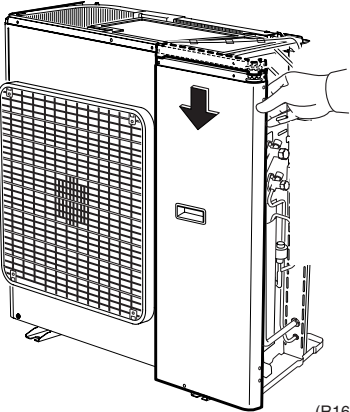
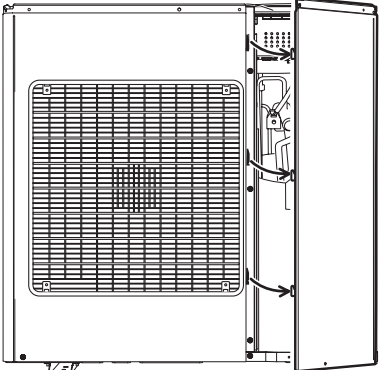
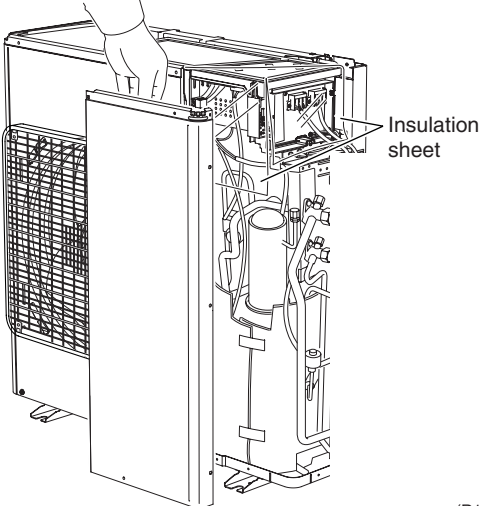
Procedure

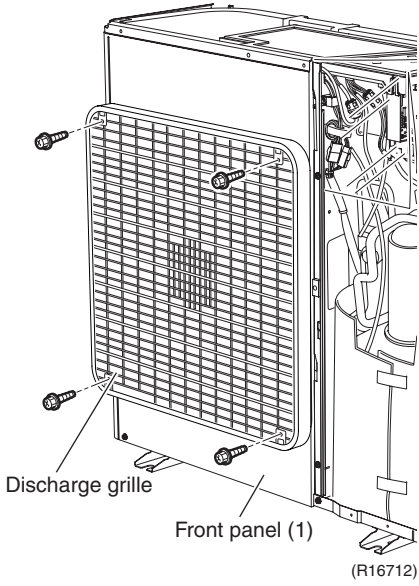
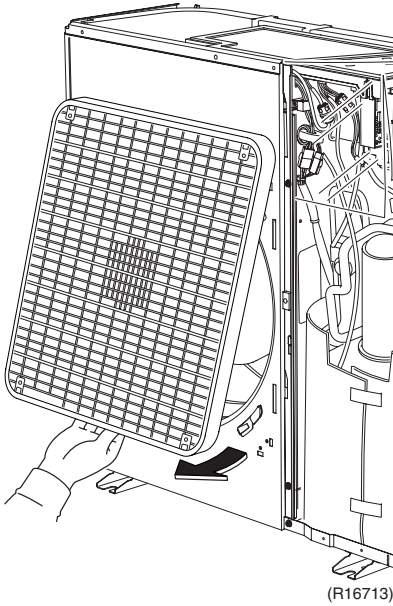
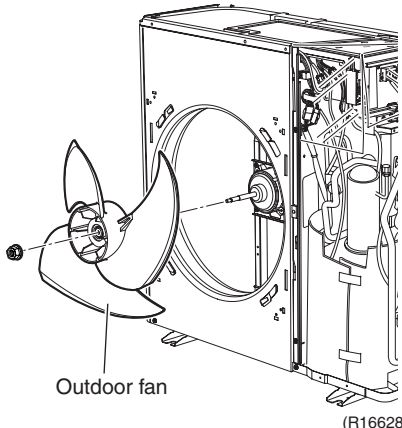
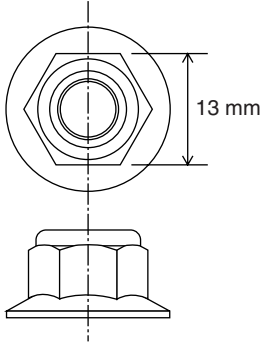


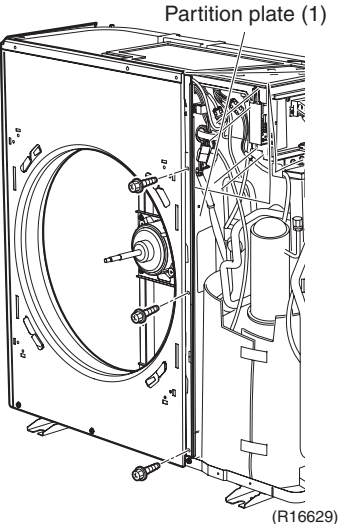
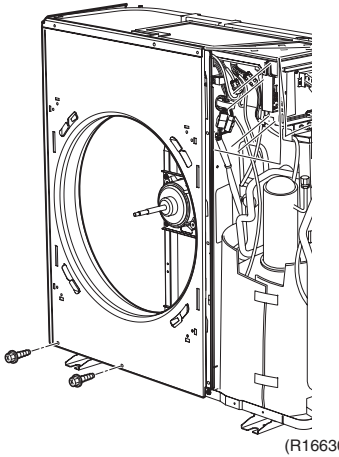
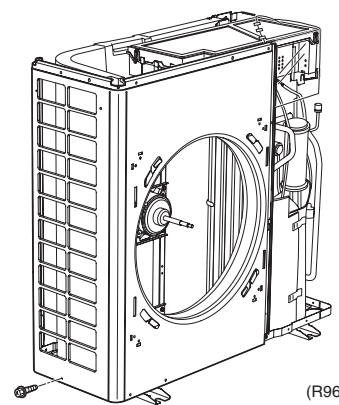
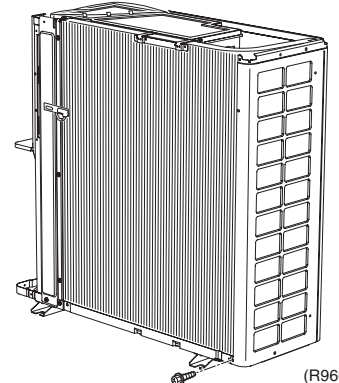
Warning Be sure to wait for 10 minutes or more after turning off all power supplies before disassembling work.

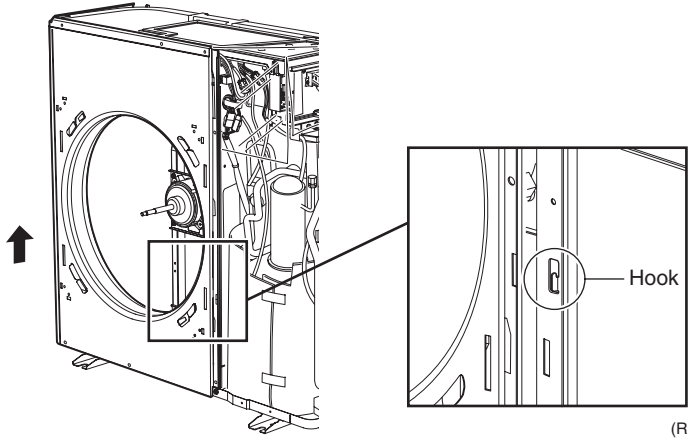
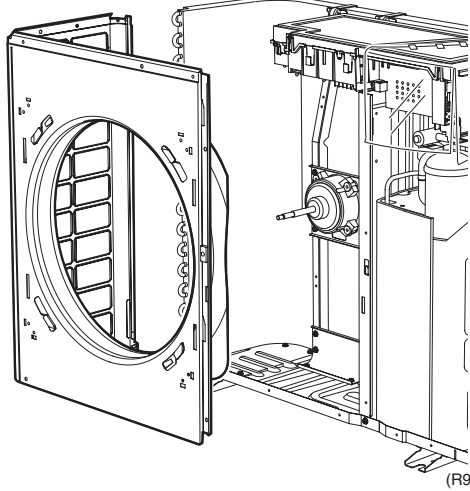
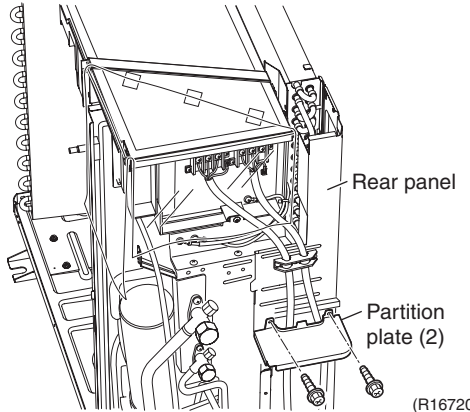
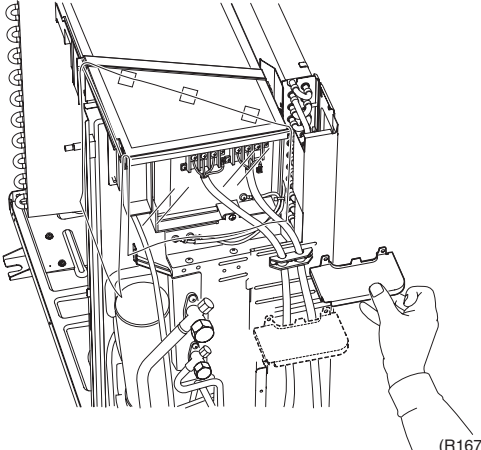
Step	Procedure	Points
<p>1. Appearance features.</p>	 <p style="text-align: right;">(R16713)</p>	<ul style="list-style-type: none"> ■ The design of discharge grille is different depending on the model.
<p>2. Remove the suction grille.</p> <p>1 Unfasten the 3 hooks at the upper first, and then 3 hooks at the middle.</p> <p>2 Unfasten the 3 hooks at the bottom and remove the suction grille.</p>	 <p style="text-align: right;">(R16619)</p> <p style="text-align: right;">(R9587)</p>	<ul style="list-style-type: none"> ■ The hooks are secured in the clearances of the outdoor heat exchanger fins.
<p>3. Remove the top panel.</p> <p>1 Remove the 9 screws and remove the top panel.</p>	 <p style="text-align: right;">(R16714)</p>	

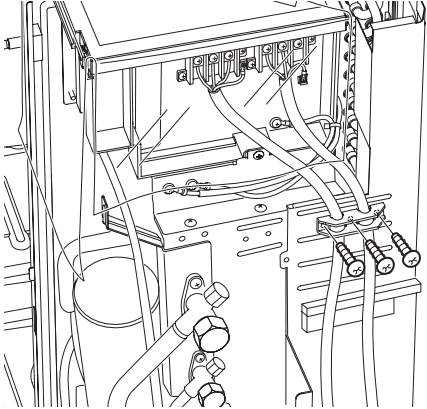
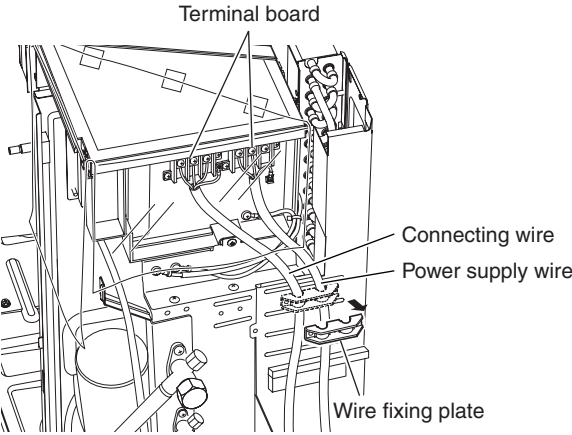
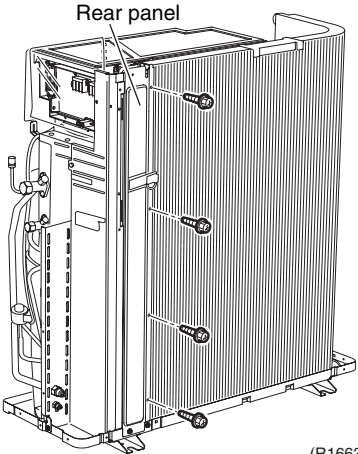
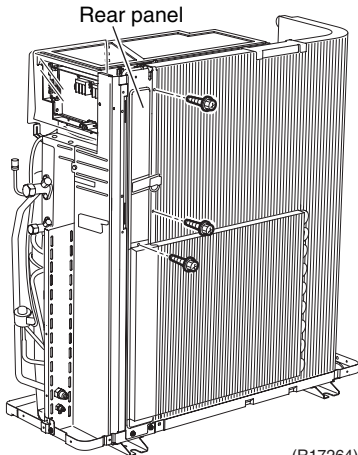
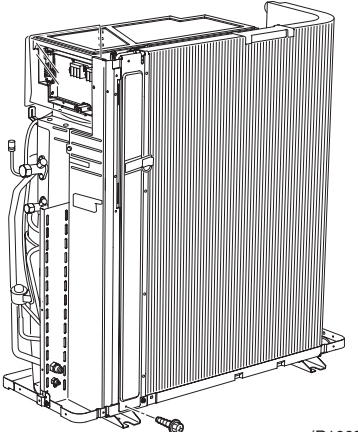
Step	Procedure	Points
4. Remove the right side panel.		
1	Remove the 5 screws.	
	 <p>Right side panel</p> <p>(R16715)</p>	
2	Slide the right side panel downward to unfasten the 2 hooks on the back side.	
	 <p>(R9688)</p>	
	 <p>Hook</p> <p>(R16622)</p>	
3	Remove the right side panel.	
	 <p>(R16623)</p>	

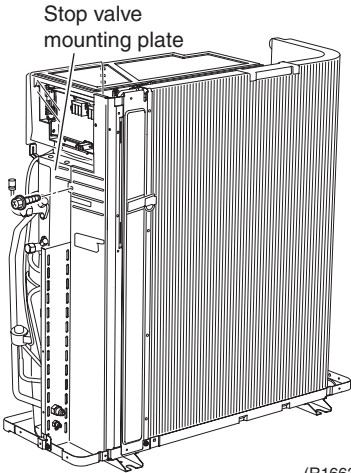
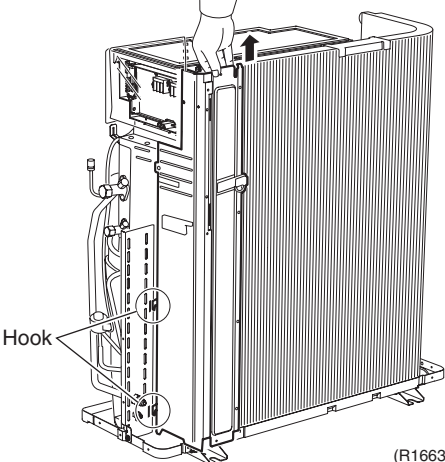
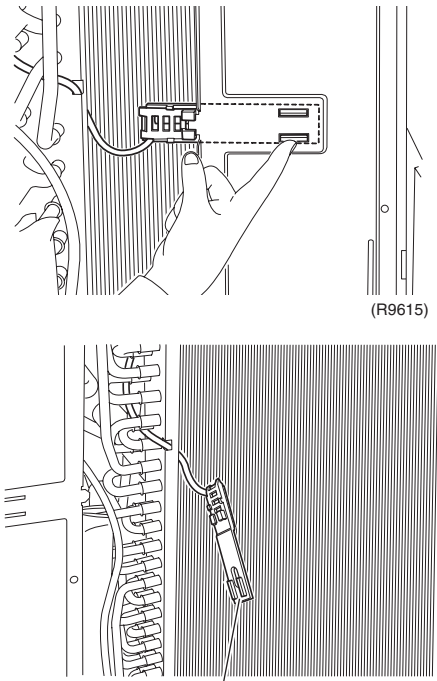
Step	Procedure	Points
5. Remove the front panel (2).		
1	Remove the screw.	
	 <p style="text-align: center;">Front panel (2) (R16716)</p>	
2	Slide the front panel (2) downward to unfasten the 3 hooks.	
3	Remove the front panel (2).	<p>■ The insulation sheet is inserted between the front panel (2) and the electrical box.</p>
	 <p style="text-align: center;">(R16717)</p>  <p style="text-align: center;">(R16718)</p>  <p style="text-align: center;">(R16719)</p>	

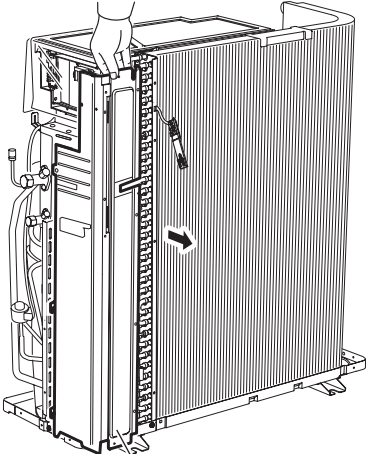
Step	Procedure	Points
6. Remove the front panel (1).		
1 Remove the 4 screws on the discharge grille.	 <p>(R16712)</p>	<p>■ Remove the discharge grille and the outdoor fan first to remove the front panel (1).</p>
2 Pull the bottom of the discharge grille and remove it.	 <p>(R16713)</p>	
3 Remove the outdoor fan fixing nut.	 <p>(R16628)</p>	<p>■ Nut size: M8</p>  <p>(R12301)</p>

Step	Procedure	Points
4	Remove the 3 screws on the partition plate (1).	
	 <p style="text-align: center;">Partition plate (1)</p> <p style="text-align: right;">(R16629)</p>	
5	Remove the 2 screws at the bottom of the front.	
	 <p style="text-align: right;">(R16630)</p>	
6	Remove the screw at the bottom of the left side.	
	 <p style="text-align: right;">(R9601)</p>	
7	Remove the screw at the bottom of the back side.	
	 <p style="text-align: right;">(R9602)</p>	

Step	Procedure	Points
8	<p>The front panel (1) has a hook on its front. Lift the front panel (1).</p>  <p>(R16631)</p>	
9	<p>Remove the front panel (1).</p>  <p>(R9604)</p>	
7. Remove the rear panel.	<p>1 Remove the 2 screws on the partition plate (2).</p>  <p>Rear panel Partition plate (2) (R16720)</p> <p>2 Lift up slightly and remove the partition plate (2).</p>  <p>(R16721)</p>	

Step	Procedure	Points
3	Remove the 3 screws.	
	 <p style="text-align: right;">(R16634)</p>	
4	Remove the wire fixing plate.	
5	Remove the 7 screws of the terminal board and earth / ground wires. Detach the connecting wire and the power supply wire.	
	 <p style="text-align: right;">(R17233)</p>	
6	Remove the 4 screws on the rear panel.	■ Some models have 3 screws.
	 <p style="text-align: right;">(R16636)</p>	 <p style="text-align: right;">(R17264)</p>
7	Remove the screw on the bottom frame.	
	 <p style="text-align: right;">(R16637)</p>	

Step	Procedure	Procedure	Points
8	Remove the screw on the stop valve mounting plate.	 <p>Stop valve mounting plate</p> <p>(R16638)</p>	
9	Lift the rear panel upward to unfasten the 2 hooks.	 <p>Hook</p> <p>(R16639)</p>	
10	Push the hooks of the outdoor temperature thermistor holder from inner-side of the rear panel and detach it.	 <p>(R9615)</p> <p>Outdoor temperature thermistor holder (R9616)</p>	

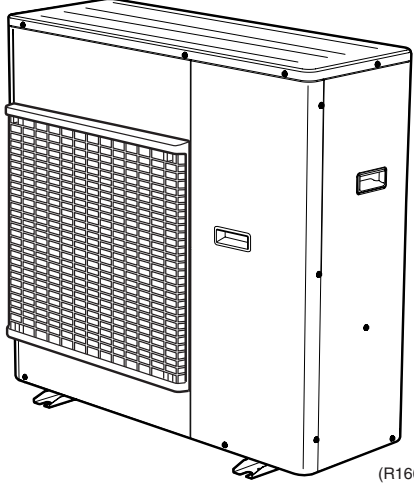
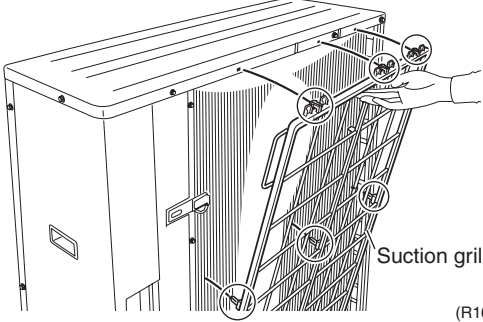
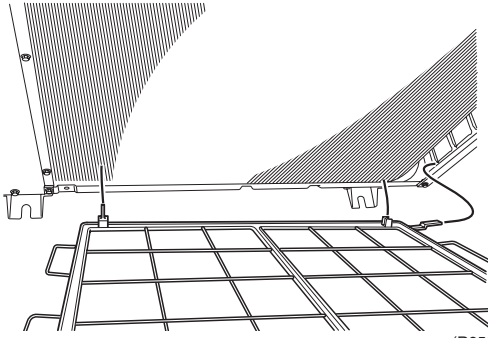
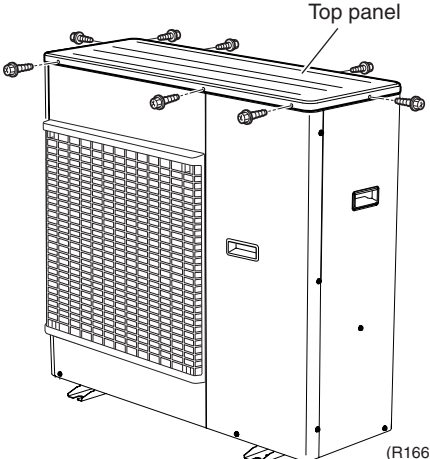
Step	Procedure	Points
11	<p data-bbox="201 215 469 248">Remove the rear panel.</p> <div data-bbox="584 237 979 725"><p data-bbox="715 692 979 725">Rear panel (R16640)</p></div>	

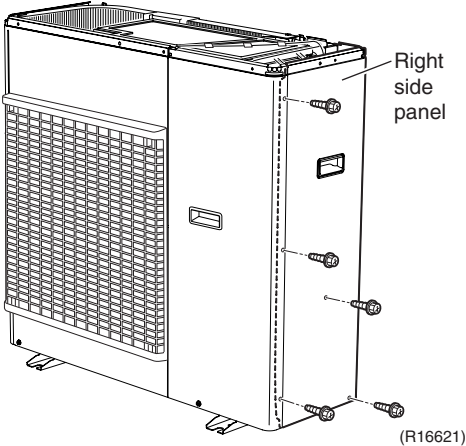
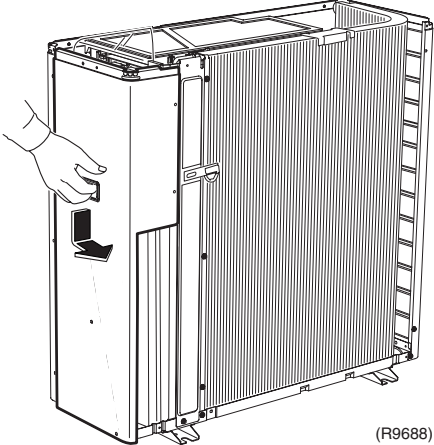
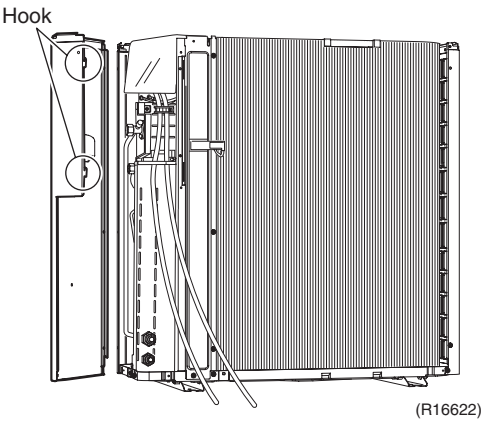
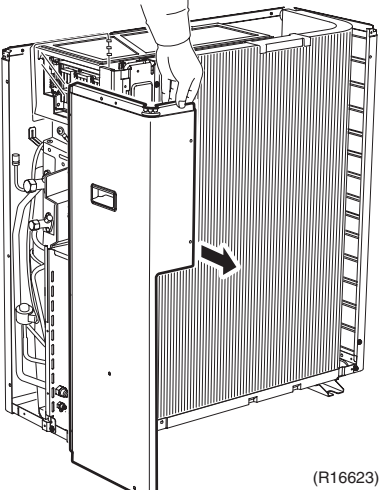
2. Removal of Outer Panels (Pattern 2)

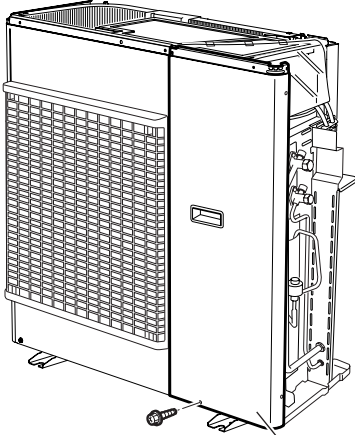
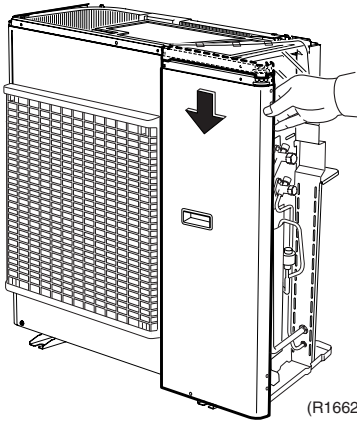
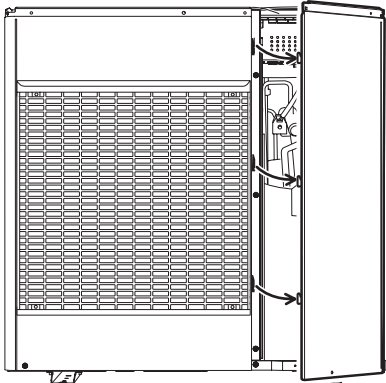
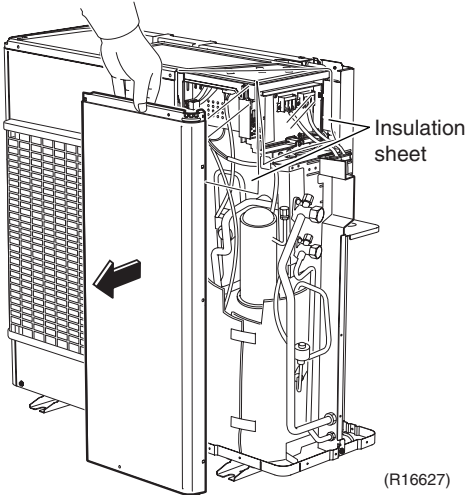
Procedure

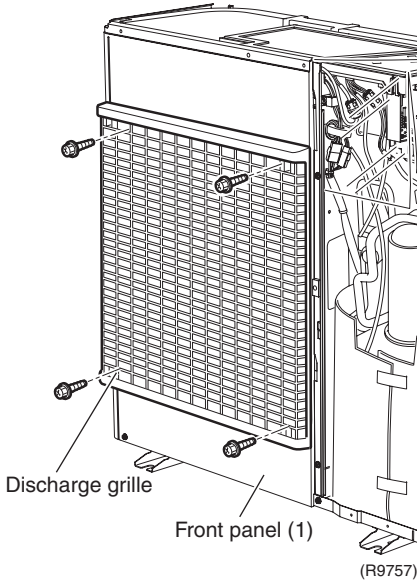
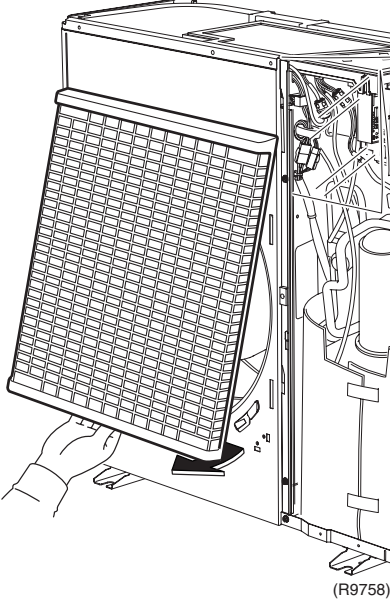
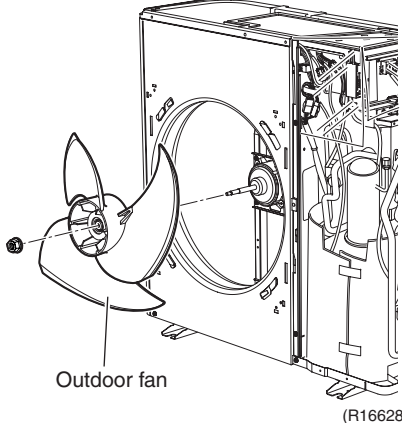
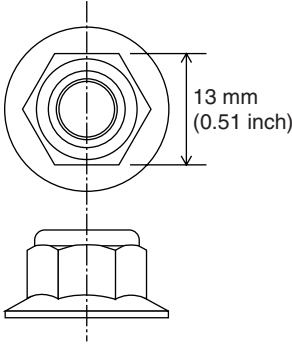


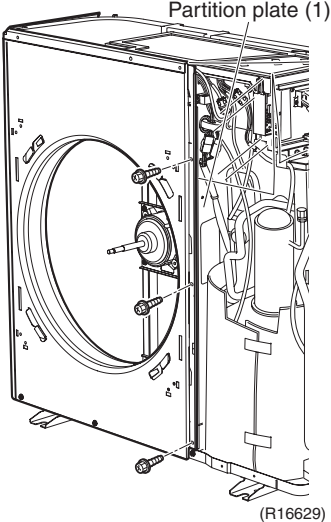
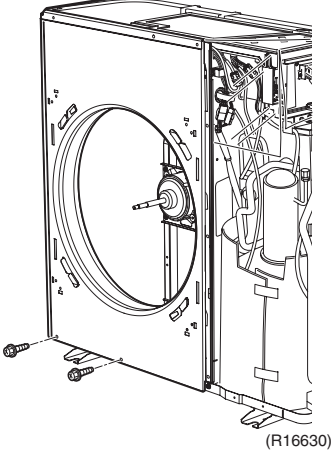
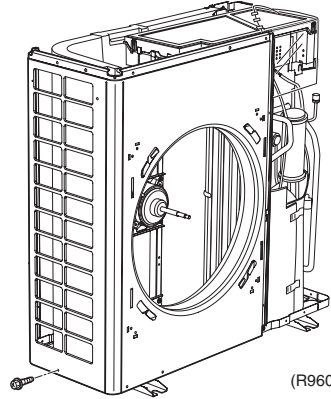
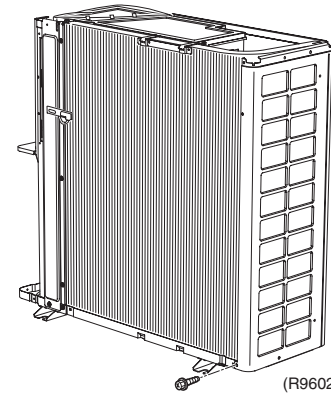
Warning Be sure to wait for 10 minutes or more after turning off all power supplies before disassembling work.

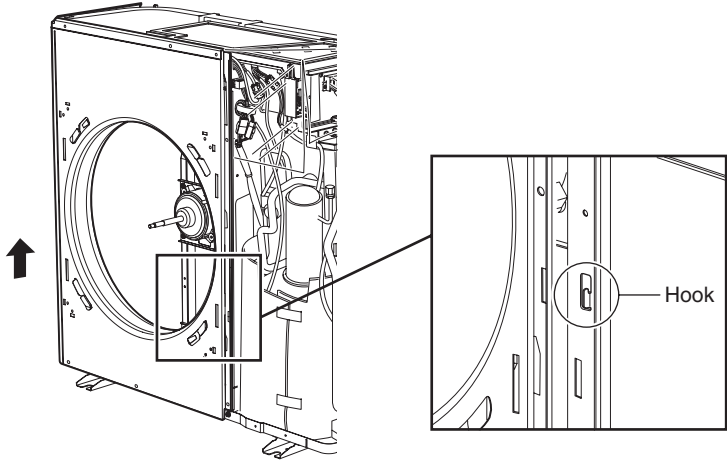
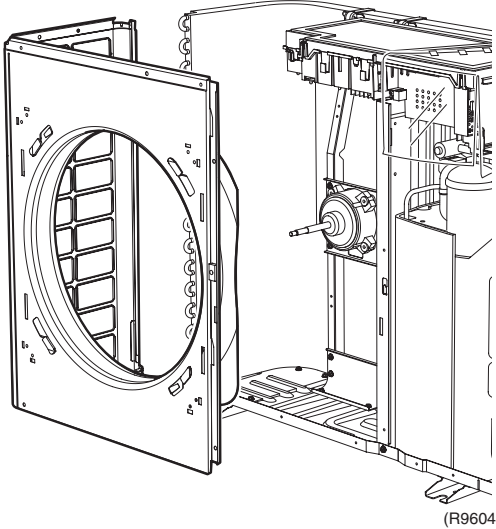
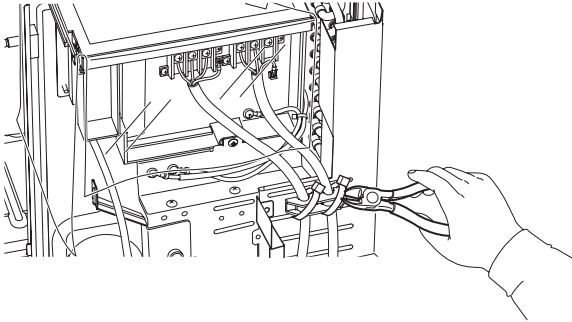
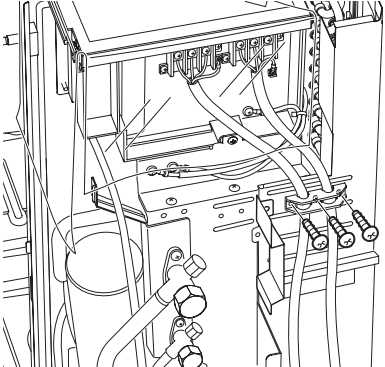
Step	Procedure	Points
1. Appearance features.	 <p style="text-align: right;">(R16618)</p>	<ul style="list-style-type: none"> ■ The design of discharge grille is different depending on the model.
2. Remove the suction grille.	<p>1 Unfasten the 3 hooks at the upper first, and then 3 hooks at the middle.</p>  <p style="text-align: right;">(R16619)</p> <p>2 Unfasten the 3 hooks at the bottom and remove the suction grille.</p>  <p style="text-align: right;">(R9587)</p>	<ul style="list-style-type: none"> ■ The hooks are secured in the clearances of the outdoor heat exchanger fins.
3. Remove the top panel.	<p>1 Remove the 9 screws and remove the top panel.</p>  <p style="text-align: right;">(R16620)</p>	

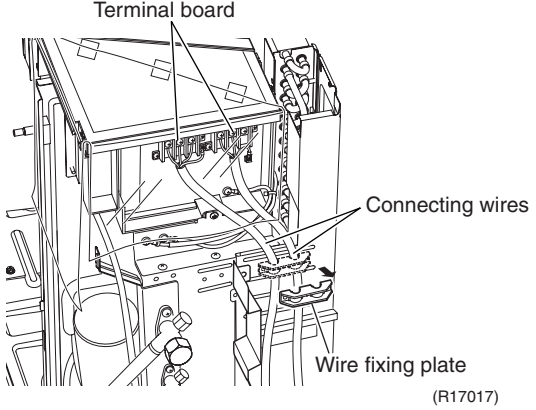
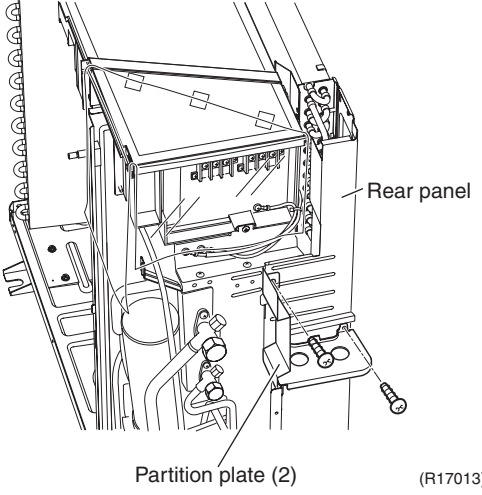
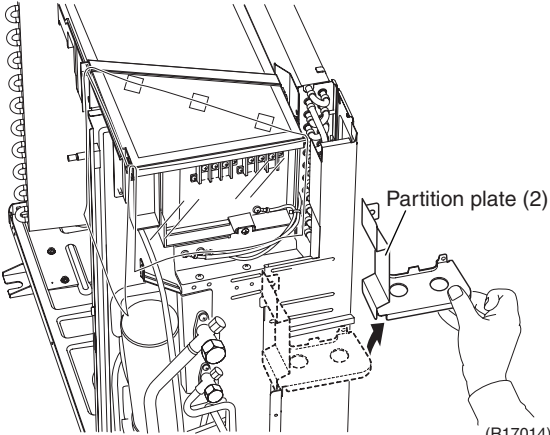
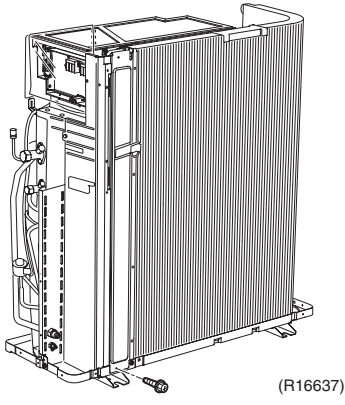
Step	Procedure	Points
4. Remove the right side panel.		
1	Remove the 5 screws.	
		
2	Slide the right side panel downward to unfasten the 2 hooks on the back side.	
		
		
3	Remove the right side panel.	
		

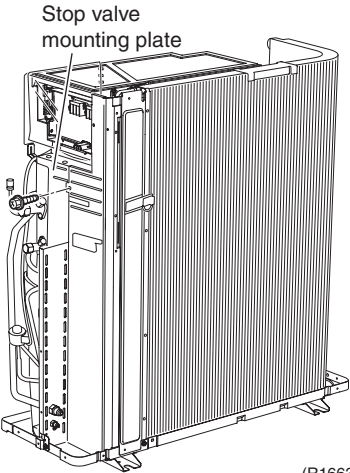
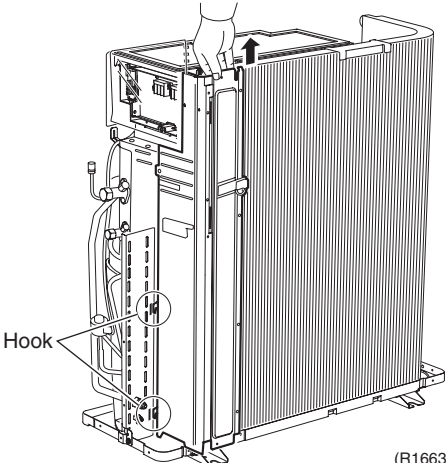
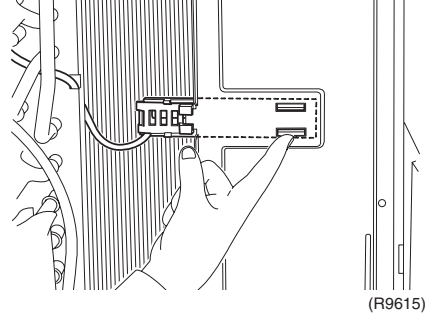
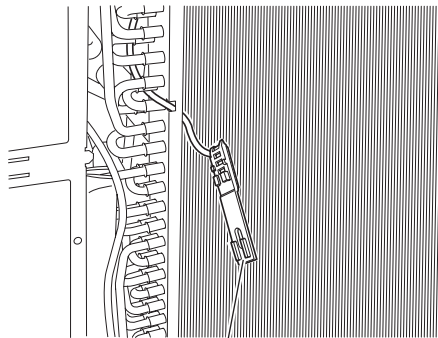
Step	Procedure	Points
5. Remove the front panel (2).		
1	Remove the screw.	
	 <p style="text-align: center;">Front panel (2) (R16624)</p>	
2	Slide the front panel (2) downward to unfasten the 3 hooks.	
	 <p style="text-align: center;">(R16625)</p>	
	 <p style="text-align: center;">(R16626)</p>	
3	Remove the front panel (2).	<ul style="list-style-type: none"> ■ The insulation sheet is inserted between the front panel (2) and the electrical box.
	 <p style="text-align: center;">(R16627)</p>	

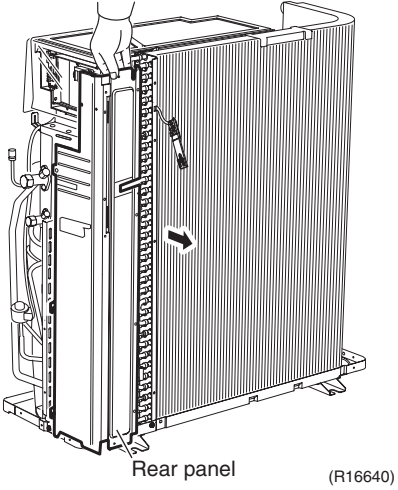
Step	Procedure	Points
6. Remove the front panel (1).		
1 Remove the 4 screws on the discharge grille.		<p>■ Remove the discharge grille and the outdoor fan first to remove the front panel (1).</p>
2 Pull the bottom of the discharge grille and remove it.		
3 Remove the outdoor fan fixing nut.		<p>■ Nut size: M8</p> 

Step	Procedure	Points
4	Remove the 3 screws on the partition plate (1).	
	 <p style="text-align: center;">(R16629)</p>	
5	Remove the 2 screws at the bottom of the front.	
	 <p style="text-align: center;">(R16630)</p>	
6	Remove the screw at the bottom of the left side.	
	 <p style="text-align: center;">(R9601)</p>	
7	Remove the screw at the bottom of the back side.	
	 <p style="text-align: center;">(R9602)</p>	

Step	Procedure	Points
8	<p>The front panel (1) has a hook on its front. Lift the front panel (1).</p>  <p>(R16631)</p>	
9	<p>Remove the front panel (1).</p>  <p>(R9604)</p>	
7. Remove the rear panel.		
1	<p>Cut the clamps.</p>  <p>(R17015)</p>	
2	<p>Remove the 3 screws.</p>  <p>(R17016)</p>	

Step	Procedure	Procedure	Points
3	Remove the wire fixing plate.	 <p>Terminal board</p> <p>Connecting wires</p> <p>Wire fixing plate (R17017)</p>	
4	Remove the 7 screws of the terminal board and earth / ground wires. Detach the connection wires and the power supply wires.		
5	Remove the 2 screws on the partition plate (2).	 <p>Rear panel</p> <p>Partition plate (2) (R17013)</p>	
6	Lift up slightly and remove the partition plate (2).	 <p>Partition plate (2) (R17014)</p>	
7	Remove the screw on the bottom frame.	 <p>(R16637)</p>	

Step		Procedure	Points
8	Remove the screw on the stop valve mounting plate.	 <p>Stop valve mounting plate</p> <p>(R16638)</p>	
9	Lift the rear panel upward to unfasten the 2 hooks.	 <p>Hook</p> <p>(R16639)</p>	
10	Push the hooks of the outdoor temperature thermistor holder from inner-side of the rear panel and detach it.	 <p>(R9615)</p>  <p>Outdoor temperature thermistor holder</p> <p>(R9616)</p>	

Step	Procedure	Points
11	<p data-bbox="201 215 472 248">Remove the rear panel.</p> <div data-bbox="584 237 983 725"><p data-bbox="715 696 983 725">Rear panel (R16640)</p></div>	

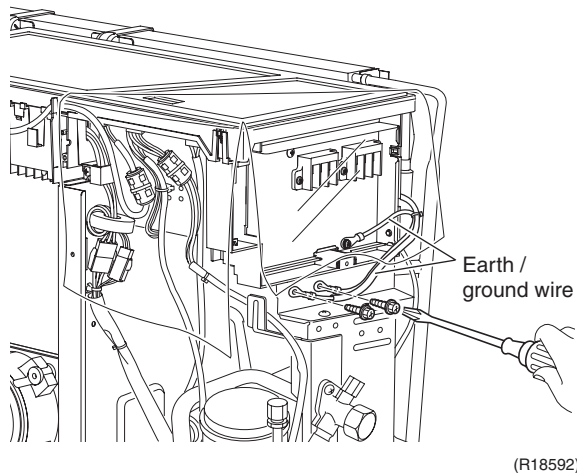
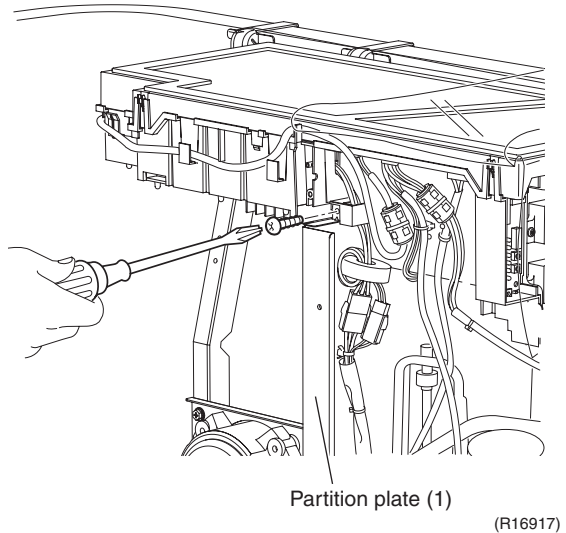
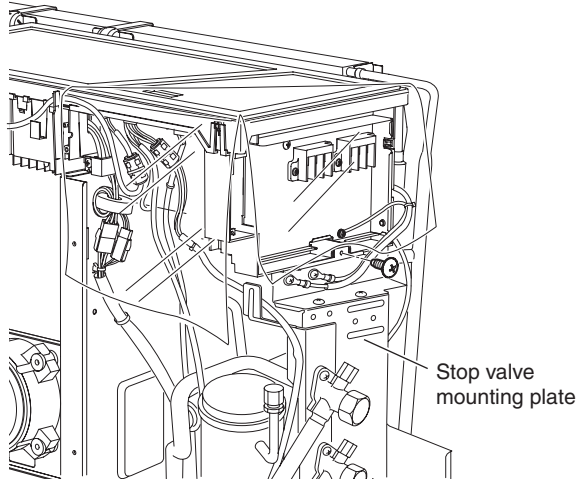
3. Removal of Electrical Box

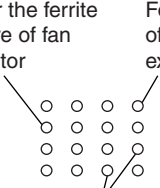
Procedure

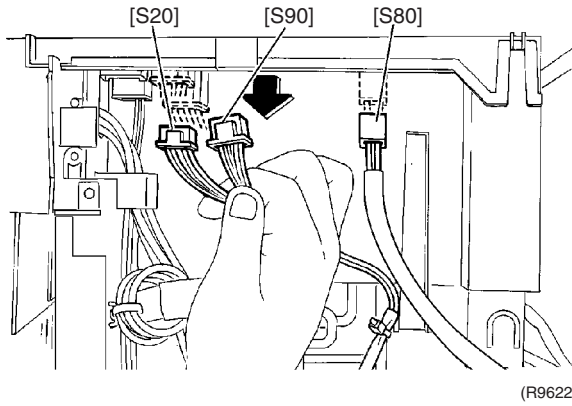
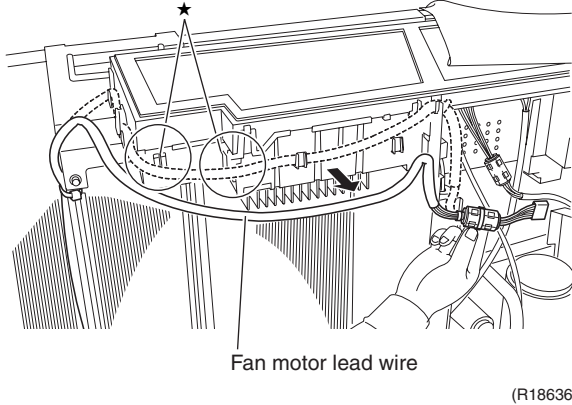
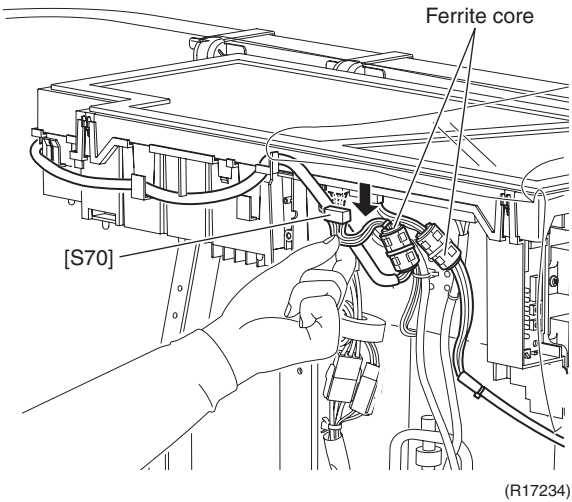


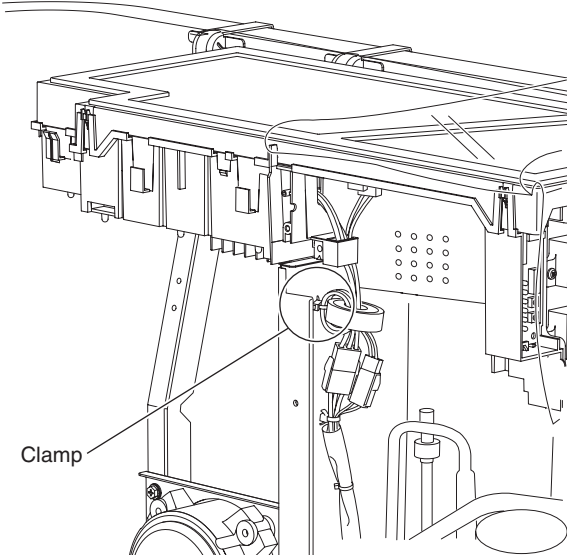
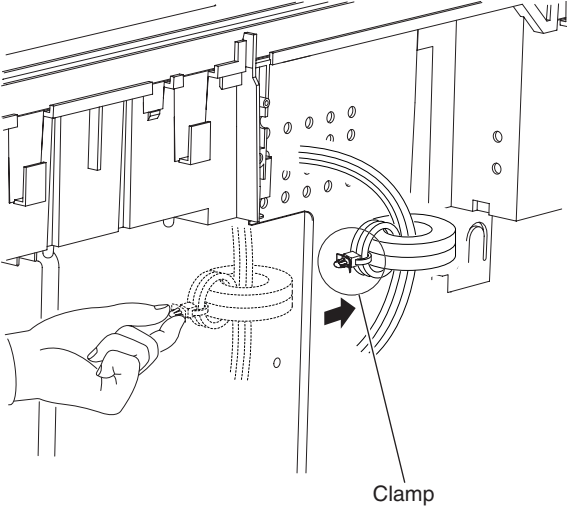
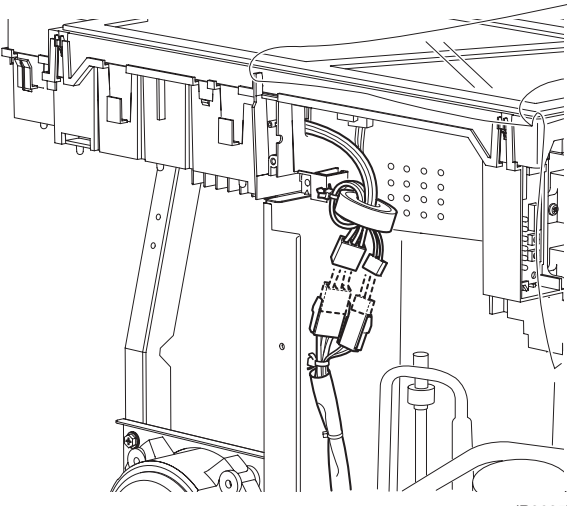
Warning Be sure to wait for 10 minutes or more after turning off all power supplies before disassembling work.

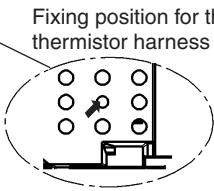
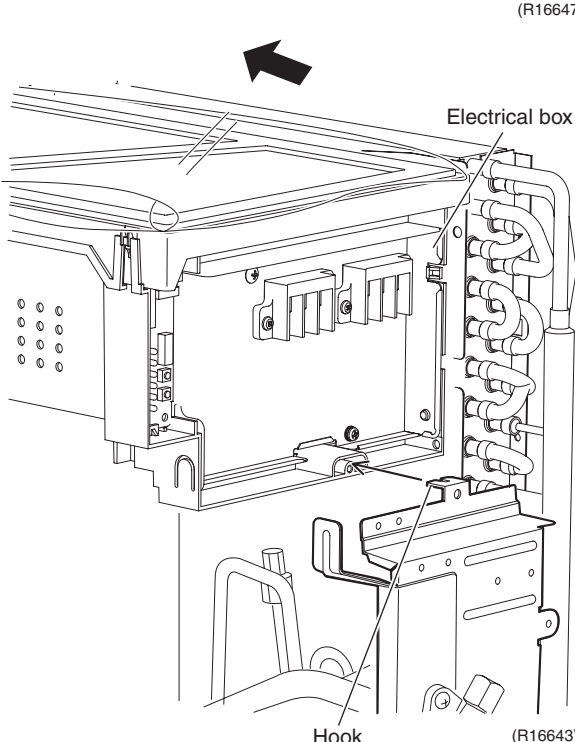
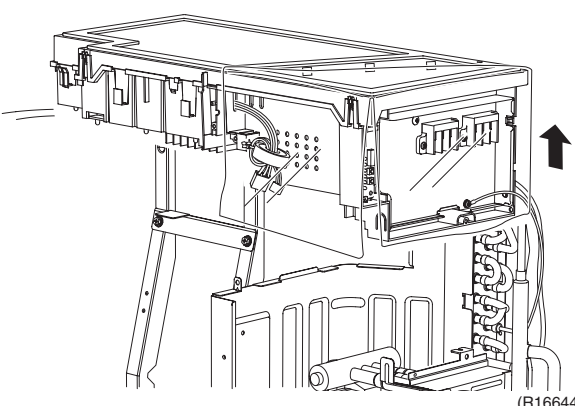
Step	Procedure	Points
1	Remove the screw on the stop valve mounting plate.	
2	Remove the screw on the partition plate (1).	
3	Remove the 2 screws to detach the earth / ground wires.	



Step	Procedure	Points
4	Disconnect the connector for the fan motor [S70] and release the 4 clamps attached to the electrical box.	<p>■ When reassembling, insert each clamp into the small hole.</p>  <p>For the ferrite core of fan motor</p> <p>For the ferrite core of electronic expansion valve coil</p> <p>For the thermistor ASSY harnesses (either hole)</p> <p>For the four way valve coil harness</p> <p>(R16919)</p>
5	Release the fan motor lead wire.	<p>★: When reassembling, do not use these 2 hooks.</p>
6	Disconnect the connectors at the front.	<p>[S20]: electronic expansion valve coil</p> <p>[S80]: four way valve coil</p> <p>[S90]: thermistors</p>



Step	Procedure	Points
7	<p>The compressor lead wire is fixed on the partition plate (1) with a clamp.</p>  <p style="text-align: right;">(R9623)</p>	
8	<p>Pull out the clamp and release the compressor lead wire.</p>  <p style="text-align: right;">(R9624)</p>	
9	<p>Disconnect the relay connector for the overload protector and the compressor.</p>  <p style="text-align: right;">(R9625)</p>	

Step	Procedure	Points
10	Release the thermistor harness from the hook at the bottom of electrical box.	<ul style="list-style-type: none"> When reassembling, insert the clamp into the small hole.
11	Pull out the clamp of the thermistor harness from the hole of the electrical box.	
12	Slide the electrical box leftward to unfasten the hook on the right side of the box.	
13	Lift up the electrical box and remove it.	

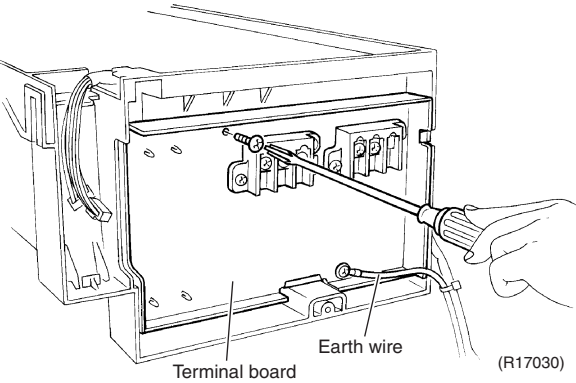
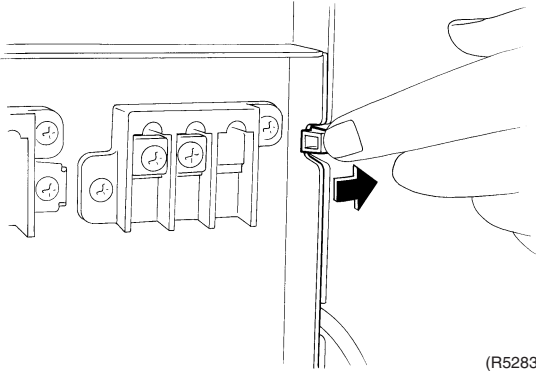
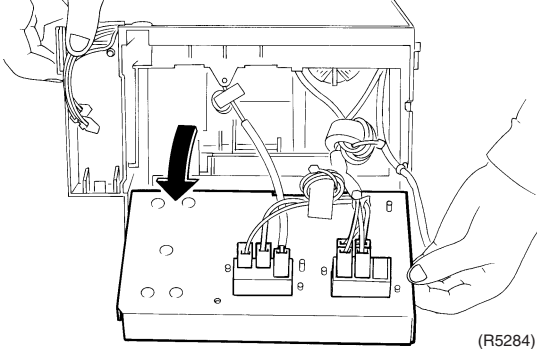
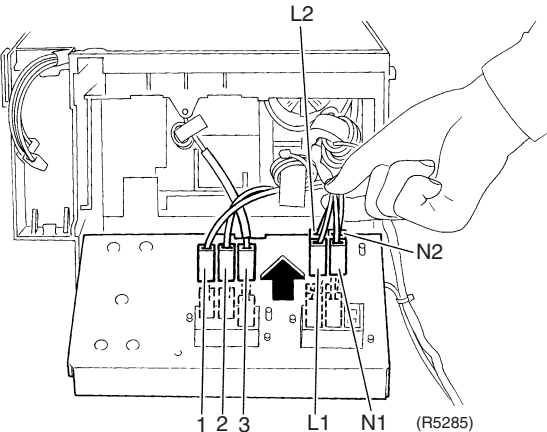
4. Removal of PCBs

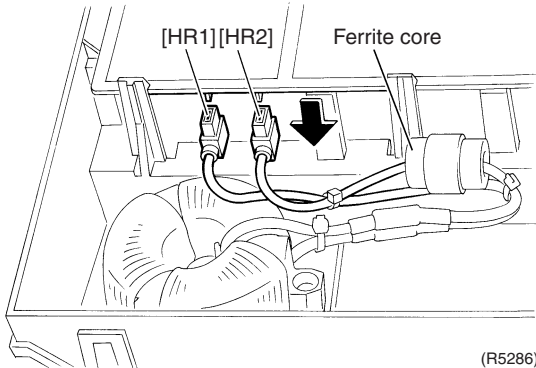
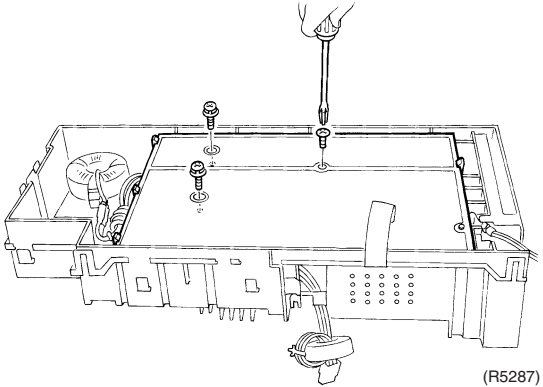
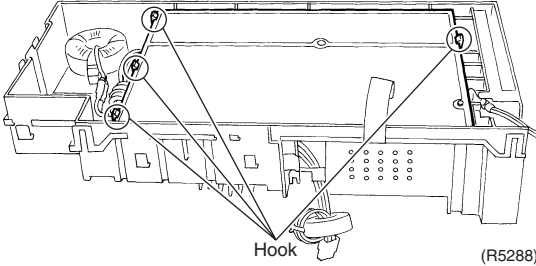
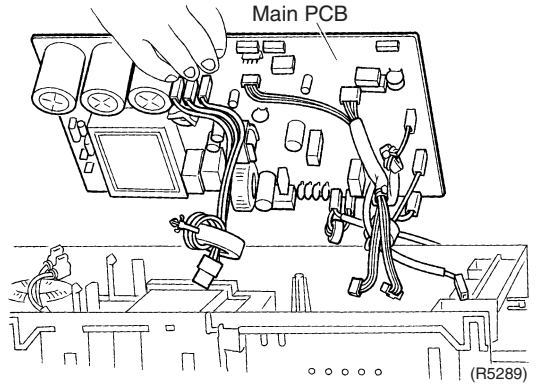
Procedure



Warning Be sure to wait for 10 minutes or more after turning off all power supplies before disassembling work.

Step	Procedure	Points
1	Remove the cover.	<p>Preparation</p> <ul style="list-style-type: none"> Remove the electrical box according to the "Removal of Electrical Box".
2	Disconnect the connectors [S52] [S102] from the service monitor PCB.	(R9611)
3	Detach the 4 clamps with pliers and remove the service monitor PCB.	(R16707)
	<p>(R16708)</p>	

Step	Procedure	Points
4	<p>Remove the screws of the terminal board and the earth wire.</p> 	
5	<p>Unfasten the hook on the right.</p> 	
6	<p>Open the terminal board.</p> 	
7	<p>Disconnect the harnesses.</p> 	<p>1: Black 2: White 3: Red L1: Black L2: Brown N1: White N2: Blue</p>

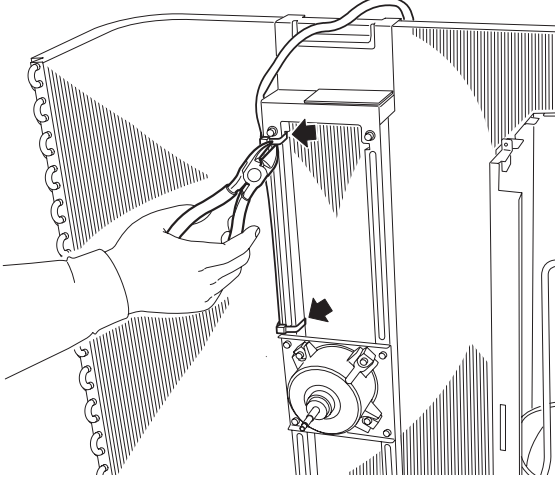
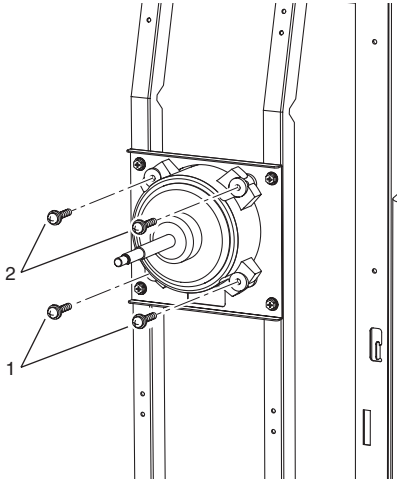
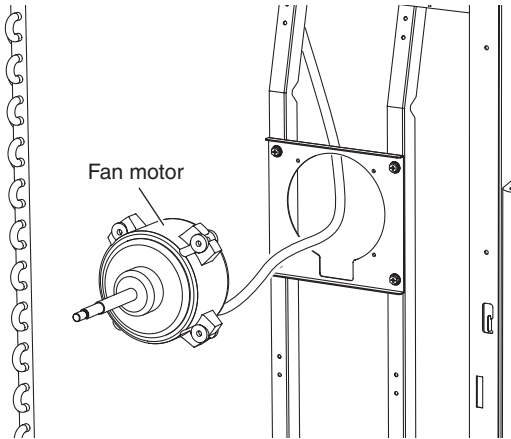
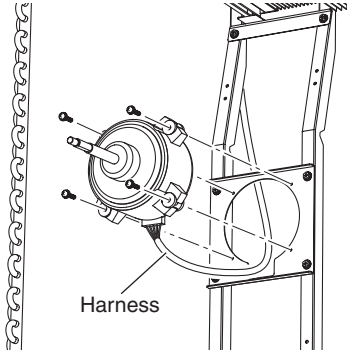
Step	Procedure	Points
8	Disconnect the 2 harnesses for the reactor [HR1] [HR2].	[HR1] : white [HR2] : blue ■ The harness for [HR2] has a ferrite core.
9	Remove the 3 screws of the main PCB.	(R5286)
10	Release the 4 hooks.	(R5287)
11	Lift up and remove the main PCB.	(R5288)
		
		
		
		

5. Removal of Fan Motor

Procedure



Warning Be sure to wait for 10 minutes or more after turning off all power supplies before disassembling work.

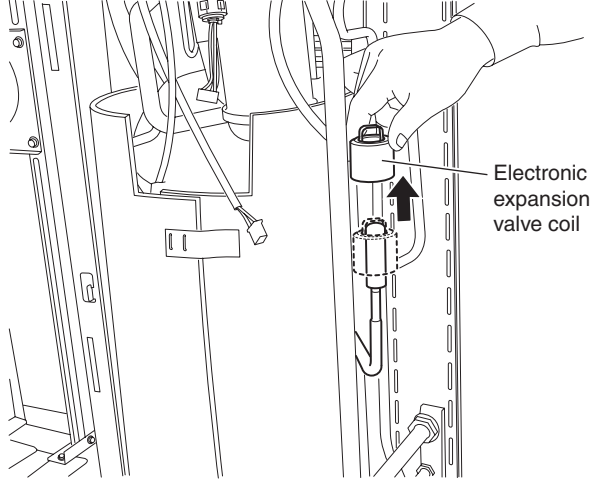
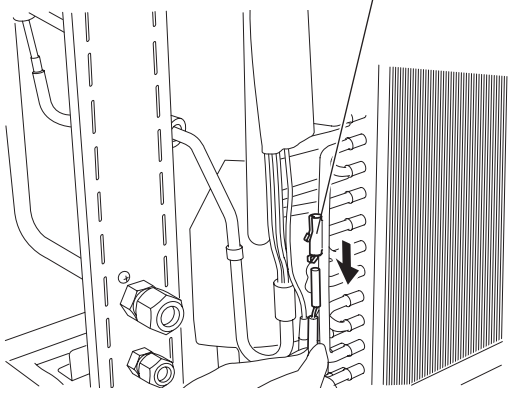
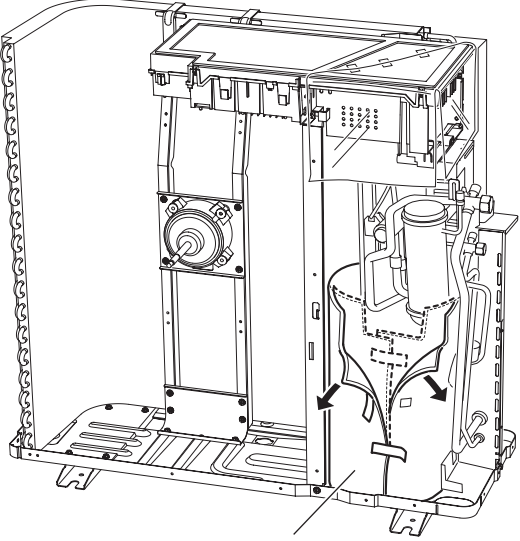
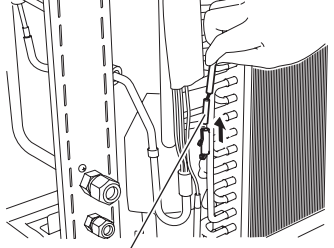
Step	Procedure	Points
1	Cut the clamps at 2 locations.  <p style="text-align: right;">(R9630)</p>	Preparation <ul style="list-style-type: none"> Remove the electrical box according to the "Removal of Electrical Box".
2	Remove the 2 lower screws first.	<ul style="list-style-type: none"> Be sure to remove the lower screws first. If the top screws are removed first, the fan motor may tilt down or fall and cause injury because its center of gravity is shifted to the front.
3	Then, remove the 2 upper screws.	<ul style="list-style-type: none"> When reassembling, make sure that the wire harness is facing downward.
4	Remove the fan motor.  <p style="text-align: right;">(R6442)</p>  <p style="text-align: right;">(R6443)</p>  <p style="text-align: right;">(R6444)</p>	

6. Removal of Coils / Thermistors

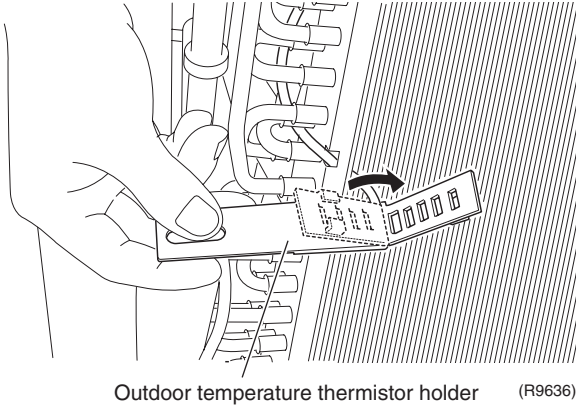
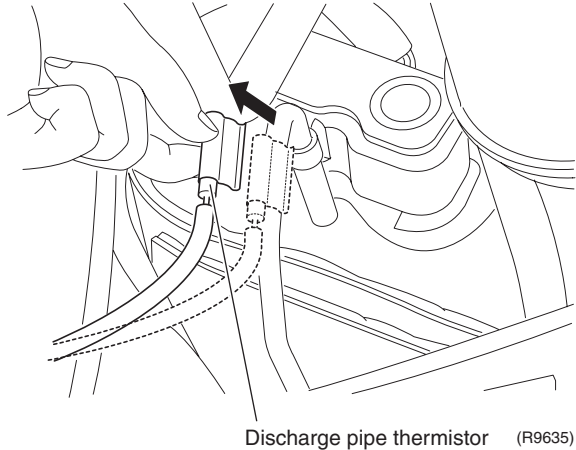
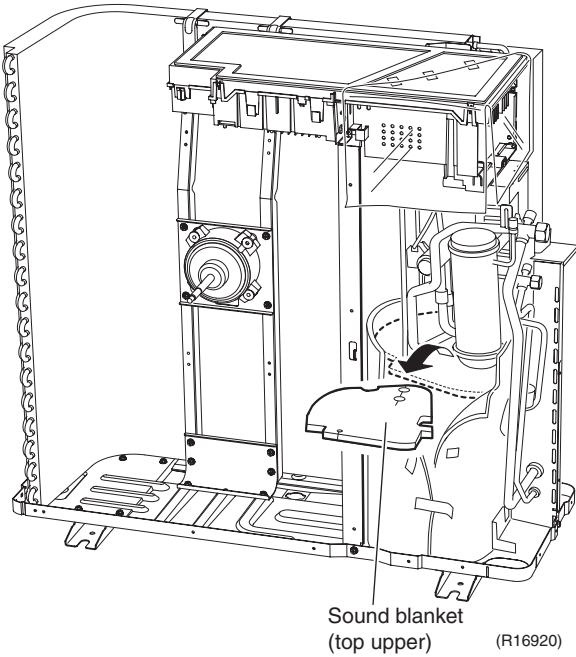
Procedure

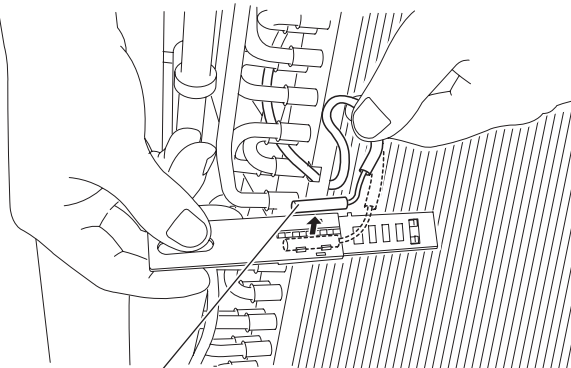
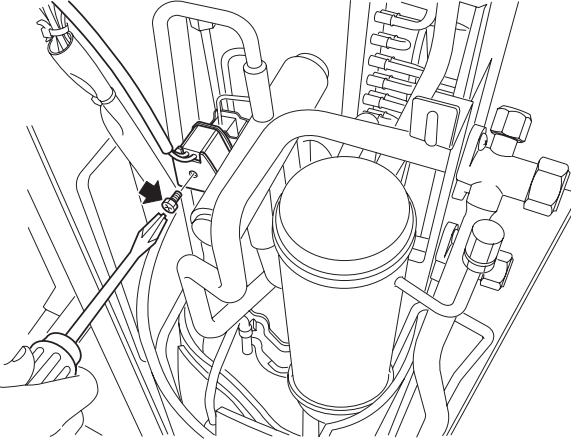
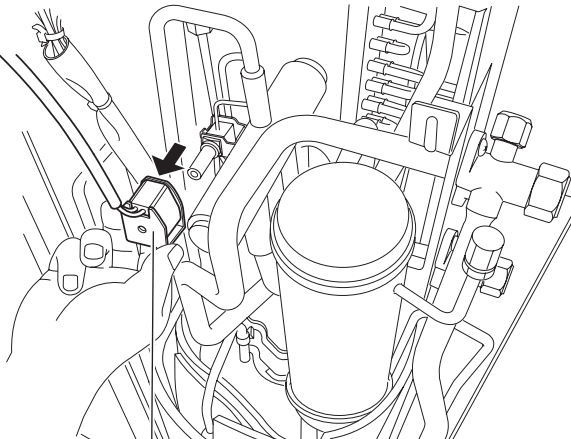


Warning Be sure to wait for 10 minutes or more after turning off all power supplies before disassembling work.

Step	Procedure	Points
<p>1. Remove the electronic expansion valve coil.</p> <p>1 Pull the electronic expansion valve coil out.</p>	 <p style="text-align: right;">(R9631)</p>	
<p>2. Remove the thermistors.</p> <p>1 Pull out the outdoor heat exchanger thermistor.</p> <p>2 Slightly open the sound blanket (outer).</p>	<p style="text-align: center;">Outdoor heat exchanger thermistor</p>  <p style="text-align: right;">(R17236)</p>  <p style="text-align: center;">Sound blanket (outer) (R9633)</p>	<ul style="list-style-type: none"> ■ The position of outdoor heat exchanger thermistor is different depending on the model.  <p style="text-align: center;">Outdoor heat exchanger thermistor (R9632)</p> <ul style="list-style-type: none"> ■ You can remove the thermistor ASSY with the electrical box on. <ol style="list-style-type: none"> (1) Disconnect [S90] from the electrical box (main PCB). (2) Release the thermistor harness from the hook at the bottom of electrical box. (3) Pull out the clamp of the thermistor harness from the hole of the electrical box.

Step	Procedure	Points
3	Remove the sound blanket (top upper).	
4	Remove the discharge pipe thermistor.	
5	At the back side, open the outdoor temperature thermistor holder.	



Step	Procedure	Points
6	<p>Release the outdoor temperature thermistor.</p>  <p style="text-align: center;">Outdoor temperature thermistor (R9637)</p>	
3.	<p>Remove the four way valve coil.</p>	
1	<p>Remove the screw.</p>  <p style="text-align: right;">(R9638)</p>	
2	<p>Remove the four way valve coil.</p>  <p style="text-align: center;">Four way valve coil (R9639)</p>	

7. Removal of Sound Blankets

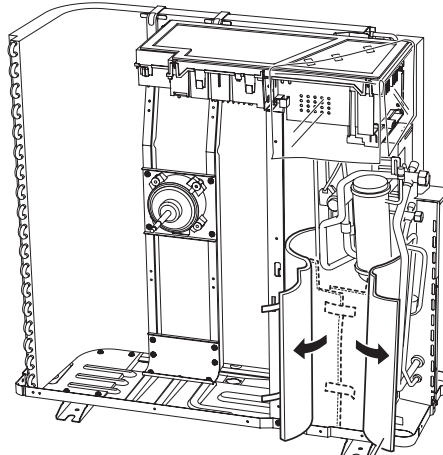
Procedure



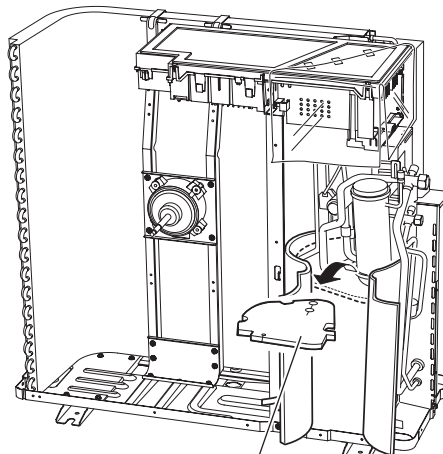
Warning

Be sure to wait for 10 minutes or more after turning off all power supplies before disassembling work.

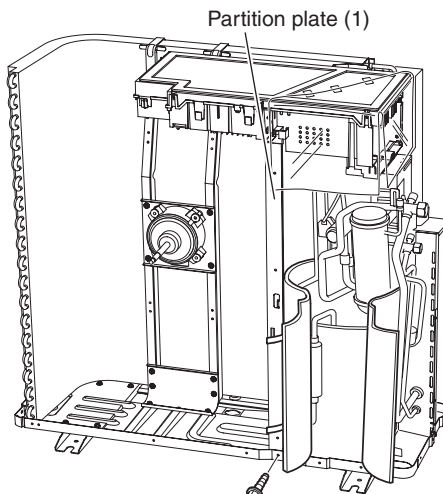
Step	Procedure	Points
1	Open the sound blanket (outer).	
2	Remove the sound blanket (top upper).	<ul style="list-style-type: none"> ■ The sound blanket is fragile. Carefully pass the discharge pipe through it.
3	Remove the screw and slightly push the partition plate (1) to the left for easy work.	



Sound blanket
(outer) (R16921)

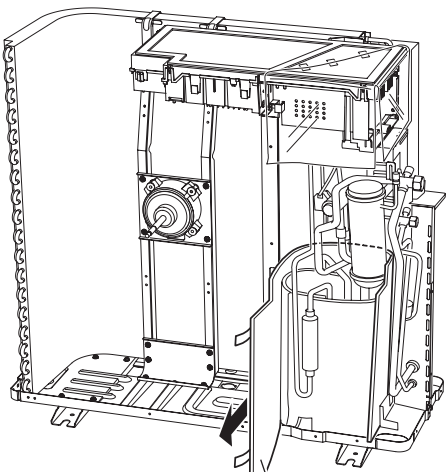
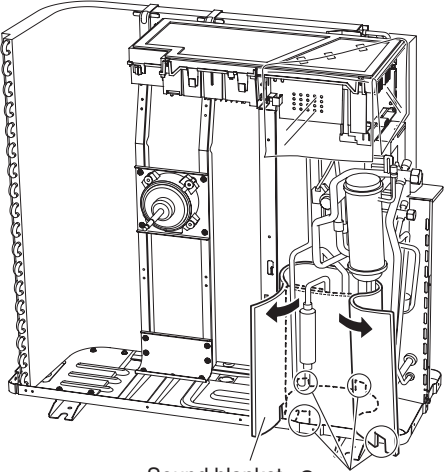
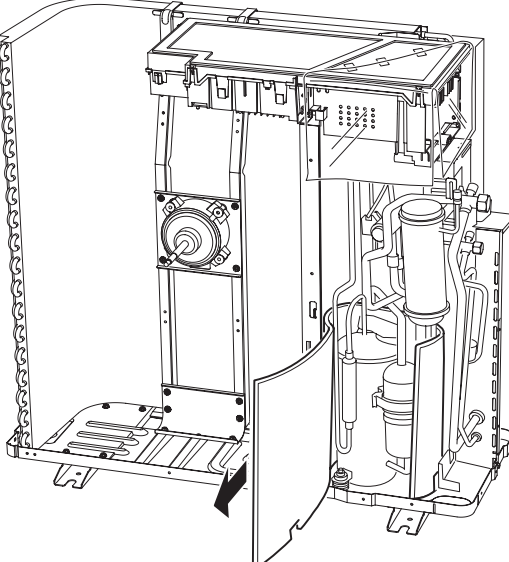


Sound blanket
(top upper) (R9641)



Partition plate (1)

(R9642)

Step	Procedure	Points
4	Remove the sound blanket (outer).	 <p data-bbox="829 705 973 772">Sound blanket (outer) (R9643)</p>
5	Open the sound blanket (inner).	 <p data-bbox="686 1254 1021 1310">Sound blanket (inner) Compressor mount (R9644)</p>
6	Remove the sound blanket (inner).	 <p data-bbox="957 1915 1021 1937">(R9645)</p> <p data-bbox="1093 1321 1452 1456">■ The sound blanket is fragile. Be careful of the notches of the compressor mount (4 locations).</p>

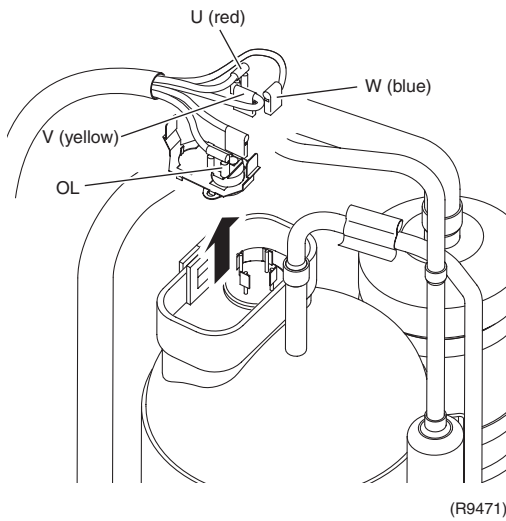
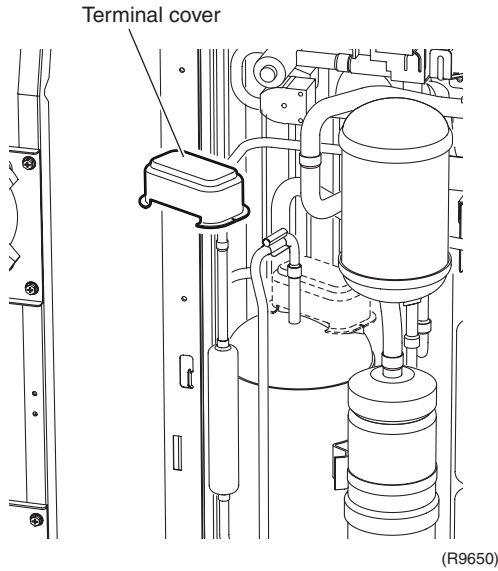
8. Removal of Compressor

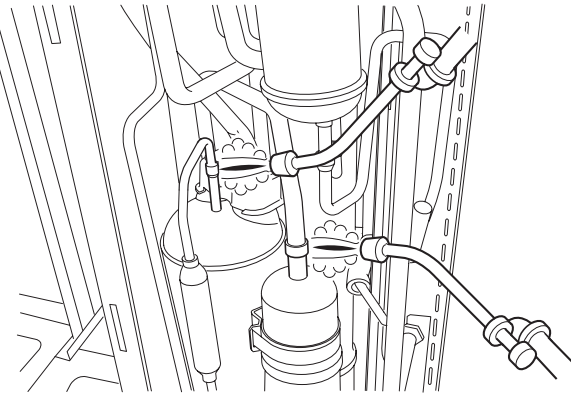
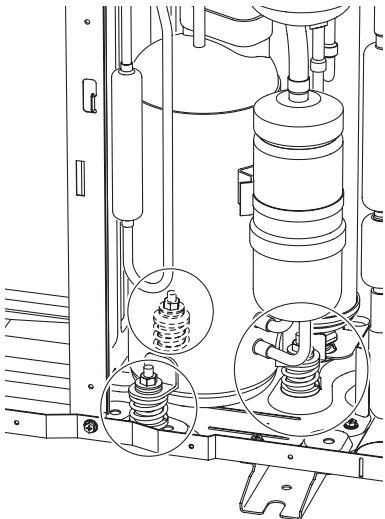
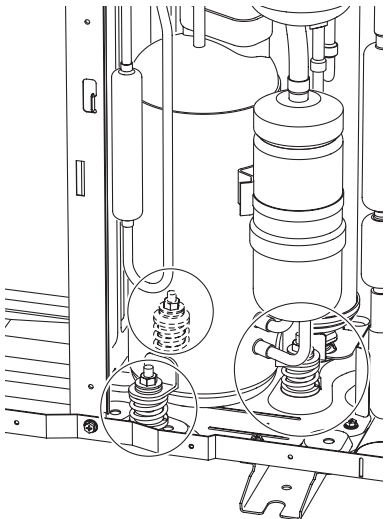
Procedure



Warning Be sure to wait for 10 minutes or more after turning off all power supplies before disassembling work.

Step	Procedure	Points
1	Remove the terminal cover.	
2	Pull out the 3 lead wires.	■ U: red, V: yellow, W: blue
3	Remove the overload protector (OL).	



Step	Procedure	Points
<ul style="list-style-type: none"> ■ Before working, make sure that the refrigerant gas is empty in the circuit. ■ Be sure to apply nitrogen replacement when heating up the brazed part. 	 <p style="text-align: right;">(R9646)</p>	<p>Warning Be careful not to get yourself burnt with the pipes and other parts that are heated by the gas brazing machine.</p>
<p>4 Heat up the brazed part and withdraw the piping with pliers.</p>	 <p style="text-align: right;">(R7021)</p>	<p>Warning If the refrigerant gas leaks during work, ventilate the room. (If the refrigerant gas is exposed to flames, toxic gas may be generated.)</p>
<p>5 Remove the 3 nuts.</p>	 <p style="text-align: right;">(R7021)</p>	<p>Warning Since it may happen that the refrigerant oil in the compressor catches fire, prepare wet cloth so as to extinguish fire immediately.</p> <p>Caution From the viewpoint of global environment protection, do not discharge the refrigerant gas in the atmosphere. Make sure to collect all the refrigerant gas.</p> <p>Cautions for restoration</p> <ol style="list-style-type: none"> 1. Restore the piping by non-oxidation brazing. 2. It is required to prevent the carbonization of the oil inside the four way valve and the deterioration of the gaskets affected by heat. (Keep below 120°C.) For the sake of this, wrap the four way valve with wet cloth and provide water so that the cloth does not dry.
<p>Note:</p> <ul style="list-style-type: none"> ■ Do not use a metal saw for cutting pipes by all means because the sawdust comes into the circuit. ■ When withdrawing the pipes, be careful not to pinch them firmly with pliers. The pipes may get deformed. ■ Provide a protective sheet or a steel plate so that the brazing flame cannot influence peripheries. ■ Be careful so as not to burn the compressor terminals, the name plate, the heat exchanger fin. 		<p>In case of difficulty with gas brazing machine</p> <ol style="list-style-type: none"> 1. Disconnect the brazed part where is easy to disconnect and restore. 2. Cut pipes on the main unit with a tube cutter in order to make it easy to disconnect.

Revision History

Month / Year	Version	Revised contents
02 / 2013	Si00-978	First edition

Warning



- Daikin products are manufactured for export to numerous countries throughout the world. Prior to purchase, please confirm with your local authorised importer, distributor and/or retailer whether this product conforms to the applicable standards, and is suitable for use, in the region where the product will be used. This statement does not purport to exclude, restrict or modify the application of any local legislation.
- Ask a qualified installer or contractor to install this product. Do not try to install the product yourself. Improper installation can result in water or refrigerant leakage, electrical shock, fire or explosion.
- Use only those parts and accessories supplied or specified by Daikin. Ask a qualified installer or contractor to install those parts and accessories. Use of unauthorised parts and accessories or improper installation of parts and accessories can result in water or refrigerant leakage, electrical shock, fire or explosion.
- Read the User's Manual carefully before using this product. The User's Manual provides important safety instructions and warnings. Be sure to follow these instructions and warnings.

If you have any enquiries, please contact your local importer, distributor and/or retailer.

Cautions on product corrosion

1. Air conditioners should not be installed in areas where corrosive gases, such as acid gas or alkaline gas, are produced.
2. If the outdoor unit is to be installed close to the sea shore, direct exposure to the sea breeze should be avoided. If you need to install the outdoor unit close to the sea shore, contact your local distributor.

Dealer

DAIKIN INDUSTRIES, LTD.

Head Office:
Umeda Center Bldg., 2-4-12, Nakazaki-Nishi,
Kita-ku, Osaka, 530-8323 Japan

Tokyo Office:
JR Shinagawa East Bldg., 2-18-1, Konan,
Minato-ku, Tokyo, 108-0075 Japan

http://www.daikin.com/global_ac/

©All rights reserved