




REMOVAL PROCEDURE



S E R V I C E M A N U A L

2.0/2.5/3.0/3.5/4.2 kW Class 9000/12000/15000 Btu/h Class

-  Outdoor Unit
-  Inverter / Hybrid
-  Pair Type



Service Manual

Removal Procedure

Outdoor Unit

●Cooling Only

RKD25DAV2Z
RKD35DAV2Z

RKD25DAVM
RKD35DAVM
RKD25DAVMA
RKD35DAVMA

RKD09GV2S
RKD12GV2S

RKE25GV1
RKE35GV1
RKE42GV1

RKE09GV2S
RKE12GV2S
RKE15GV2S

RKS25DAVM
RKS35DAVM
RKS25EBVMA
RKS35EBVMA

RKS20GVLT
RKS25GVLT
RKS35GVLT

RKS20GVLT8
RKS25GVLT8
RKS30GVLT8

RKS25GVMG
RKS35GVMG

●Heat Pump

ARXS25F3V1B
ARXS35F3V1B

PXS25FBV2C
PXS35FBV2C

RXD25DAV2Z
RXD35DAV2Z

RXD25DAVMA
RXD35DAVMA

RXD25FV2C
RXD35FV2C

RXG25EAVMA
RXG35EAVMA

RXG25FVMA
RXG35FVMA

RXS25EBVMA
RXS35EBVMA

RXS25FBV2C
RXS35FBV2C

RXS25FV2C
RXS35FV2C

RXS20GVLT
RXS25GVLT
RXS35GVLT

RXS20GVLT8
RXS25GVLT8
RXS30GVLT8

RYN25DAV1A
RYN35DAV1A

Table of Contents

1. Removal of Outer Panels / Fan Motor.....	2
2. Removal of Electrical Box	10
3. Removal of PCB.....	13
4. Removal of Reactor / Partition Plate	15
5. Removal of Sound Blankets.....	16
6. Removal of Four Way Valve	17
7. Removal of Compressor	19



Note:

- The illustrations may be slightly different depending on the model.
- The illustrations are for heat pump models as representative.

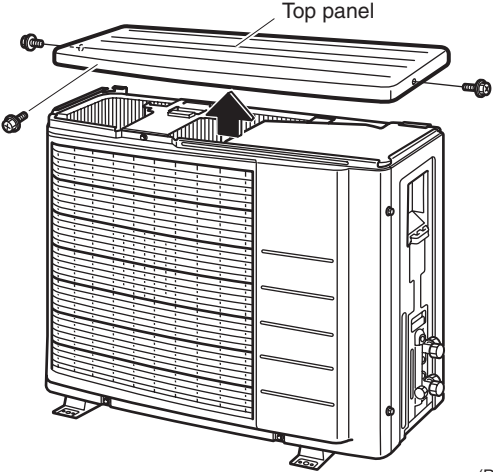
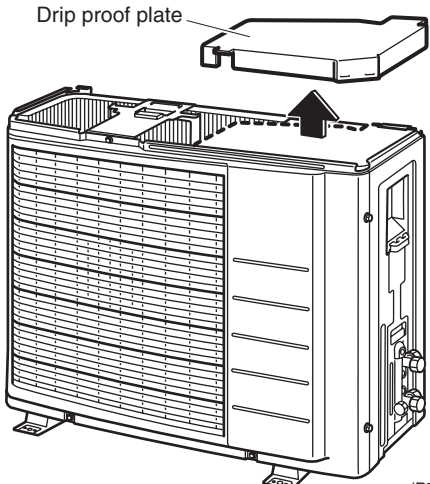
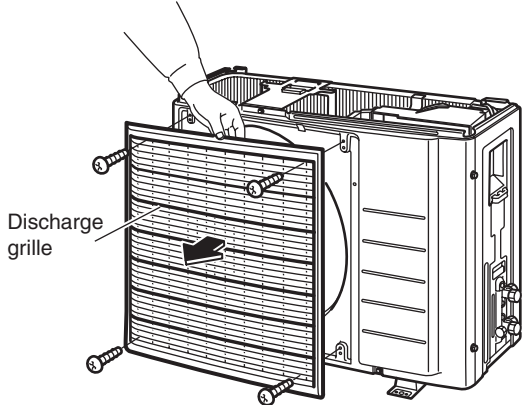
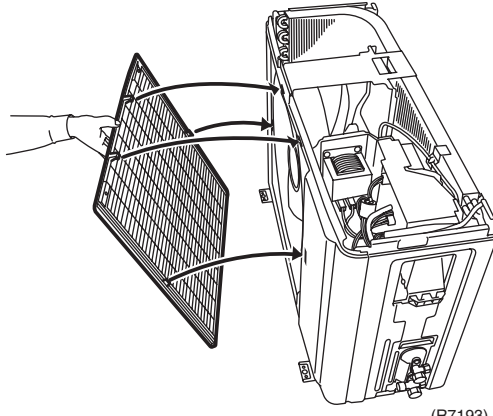
1. Removal of Outer Panels / Fan Motor

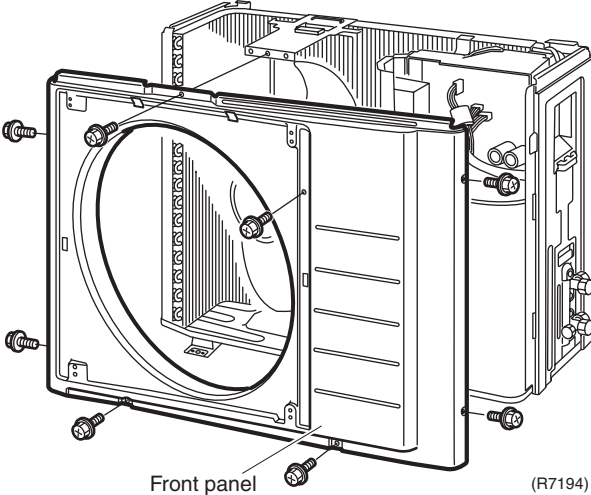
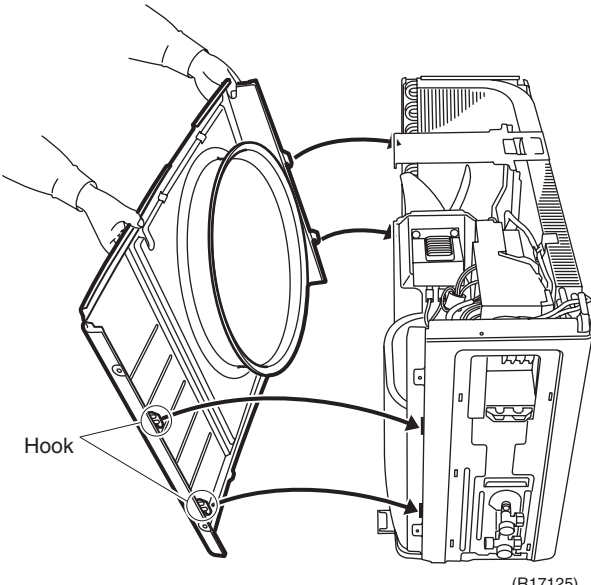
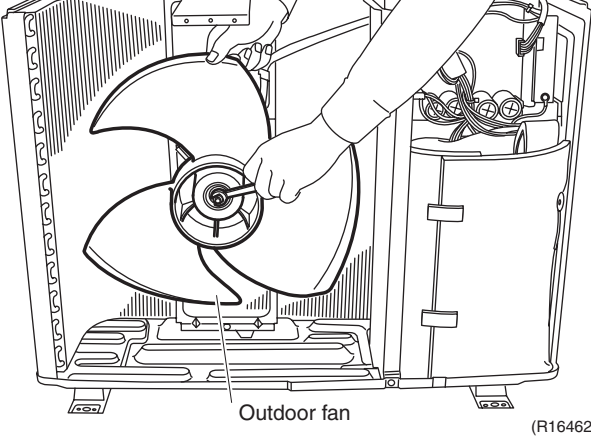
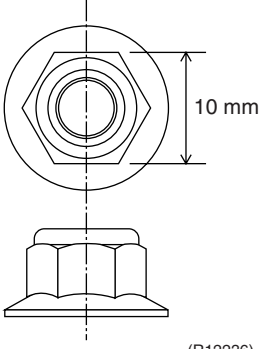
Procedure



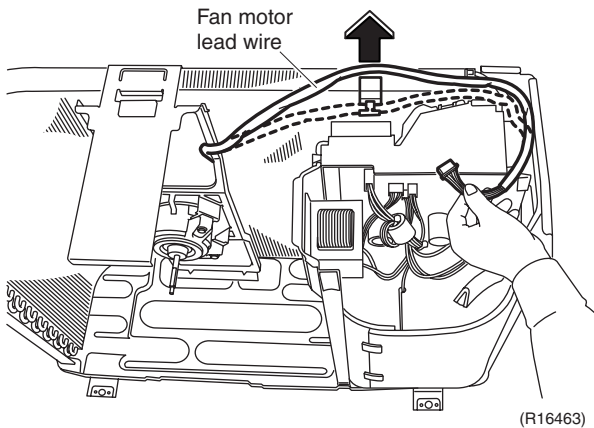
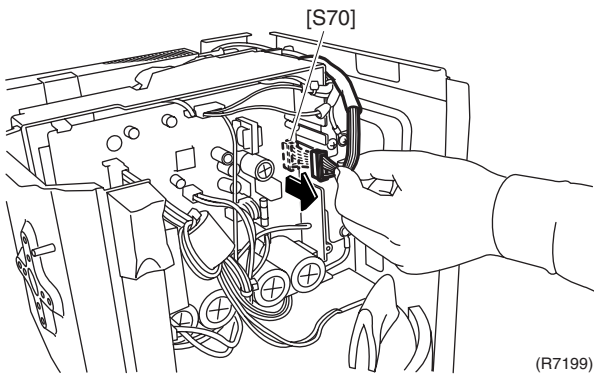
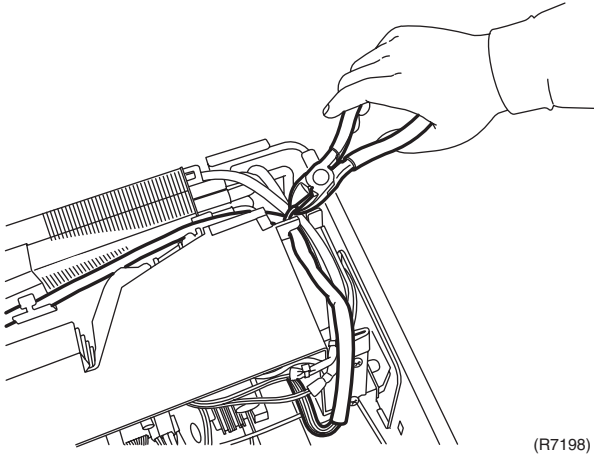
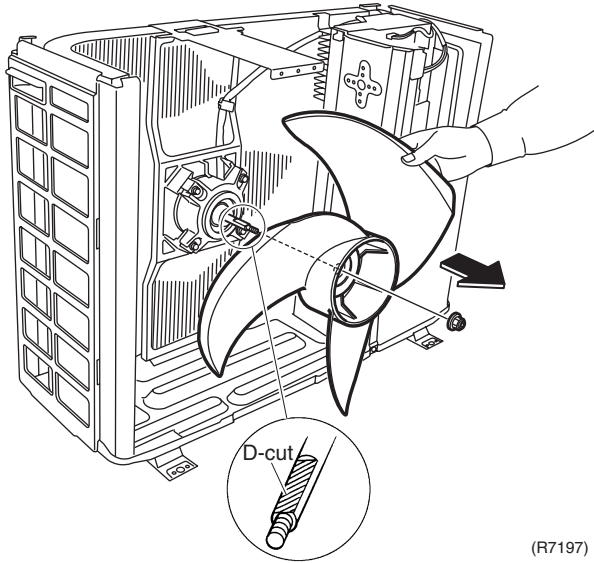
Warning Be sure to wait for 10 minutes or more after turning off all power supplies before disassembling work.

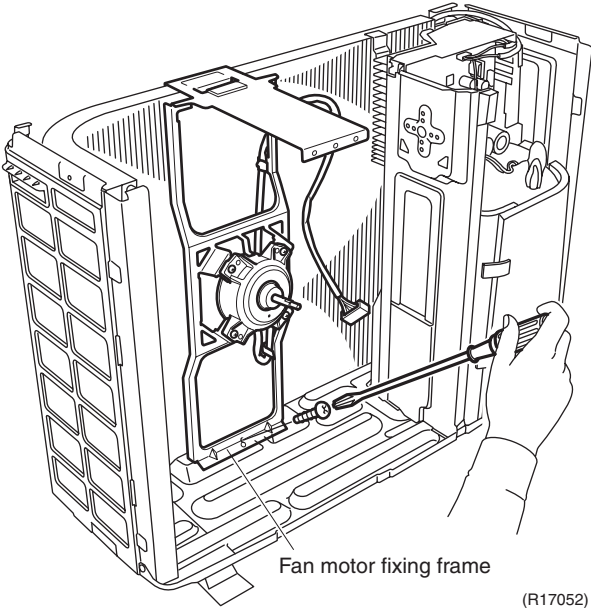
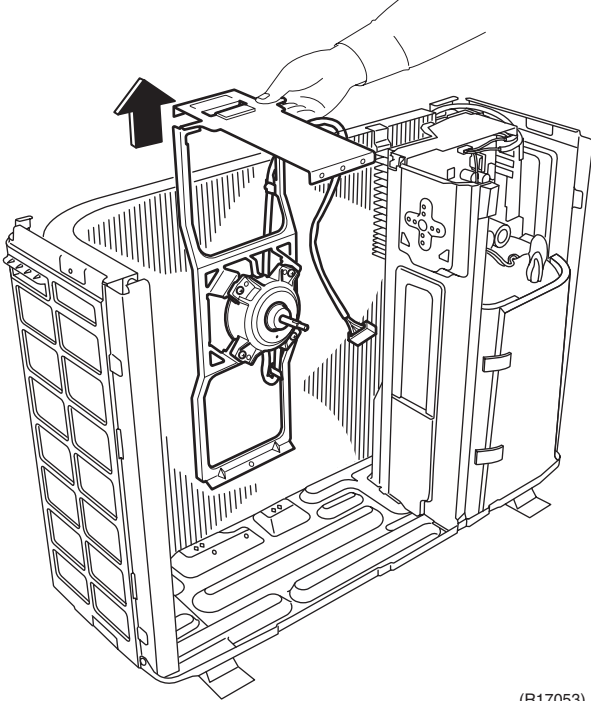
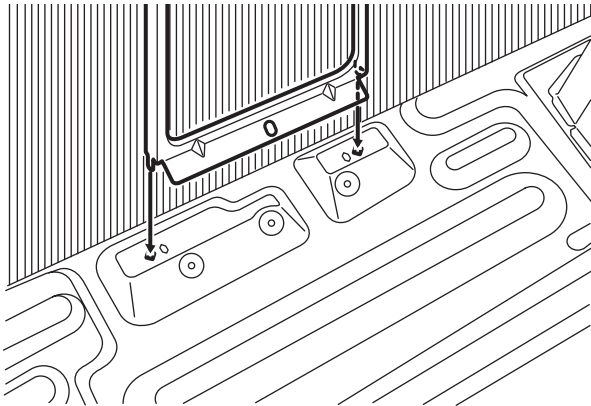
Step	Procedure	Points
<p>1. Appearance features</p>	<p>(R7186)</p> <p>(R11890)</p>	<ul style="list-style-type: none"> ■ Take care not to cut your finger by the fins of the outdoor heat exchanger.
<p>2. Remove the panels.</p> <p>1 Remove the screw of the stop valve cover. Pull the stop valve cover downward and remove it.</p>	<p>Stop valve cover</p> <p>Shield plate</p> <p>Hook</p> <p>(R7188)</p> <p>(R13504)</p>	<ul style="list-style-type: none"> ■ The stop valve cover is united with the shield plate. ■ When reassembling, make sure to fit the 5 hooks.

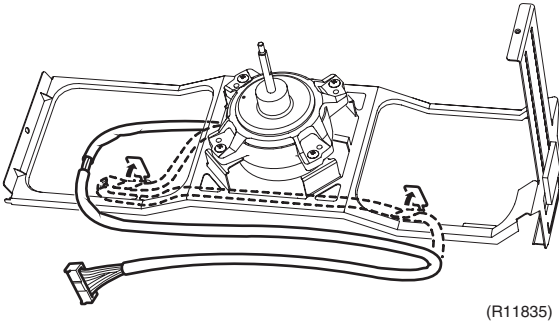
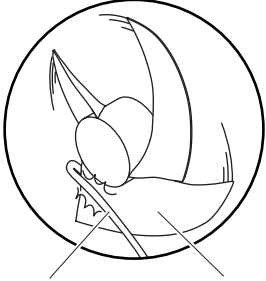
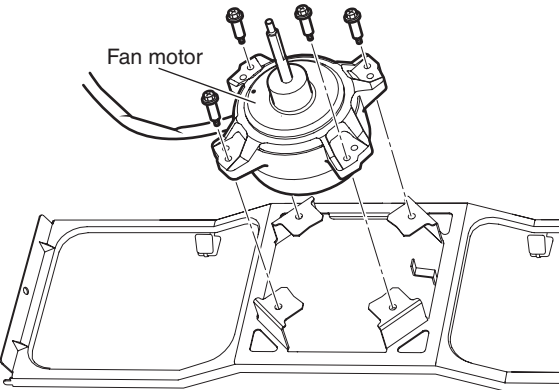
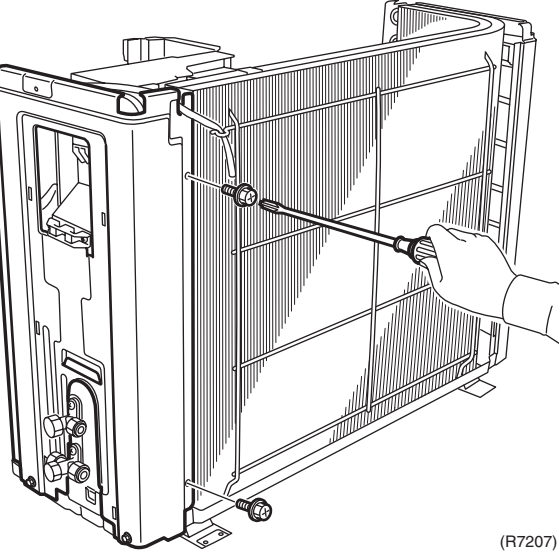
Step		Procedure	Points
2	Remove the 3 screws and lift the top panel.	 <p>Top panel</p> <p>(R7190)</p>	
3	Remove the drip proof plate.	 <p>Drip proof plate</p> <p>(R7191)</p>	
4	Remove the 4 screws and remove the discharge grille.	 <p>Discharge grille</p> <p>(R7192)</p>  <p>(R7193)</p>	<p>■ The discharge grille has 4 hooks.</p>

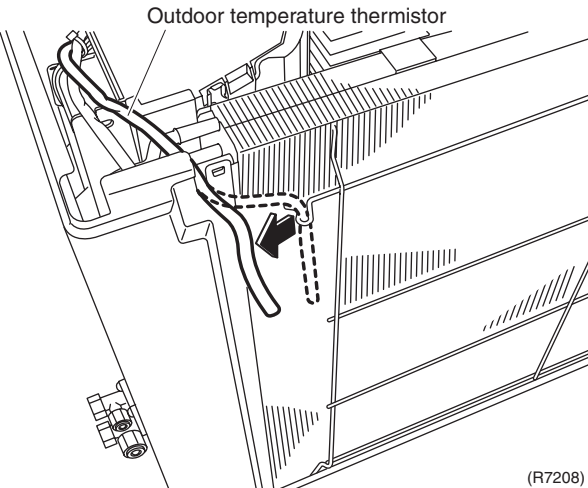
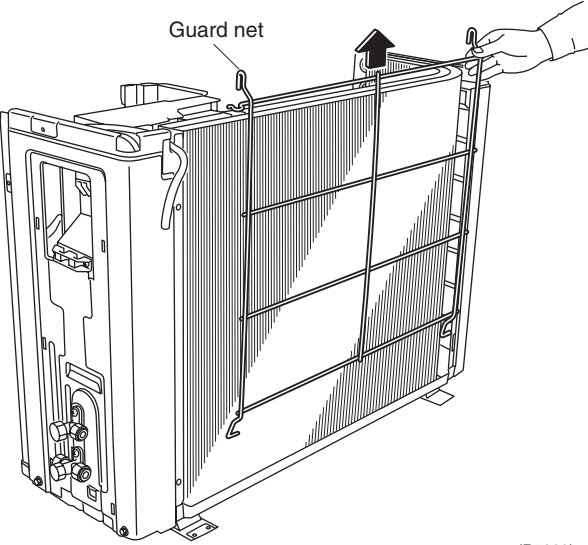
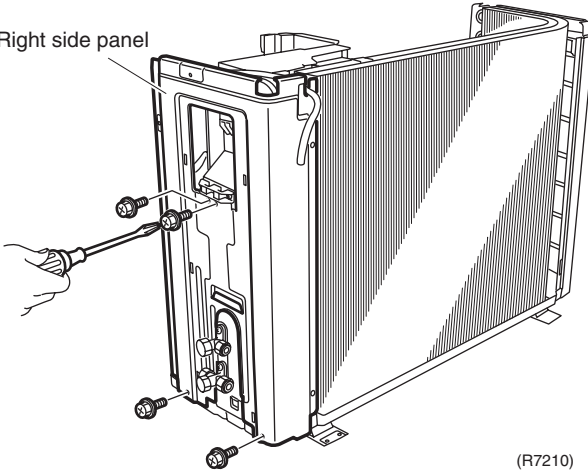
Step	Procedure	Points
5	<p>Remove the 8 screws of the front panel.</p> 	
6	<p>Unfasten the hooks. Pull and remove the front panel.</p> 	<p>■ The front panel has 4 hooks.</p>
3.	<p>Remove the fan motor.</p>	<p>■ Nut size: M6</p>
1	<p>Remove the nut of the outdoor fan.</p> 	

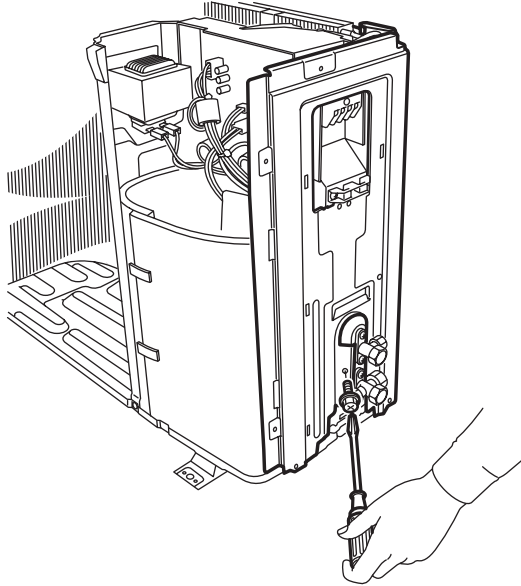
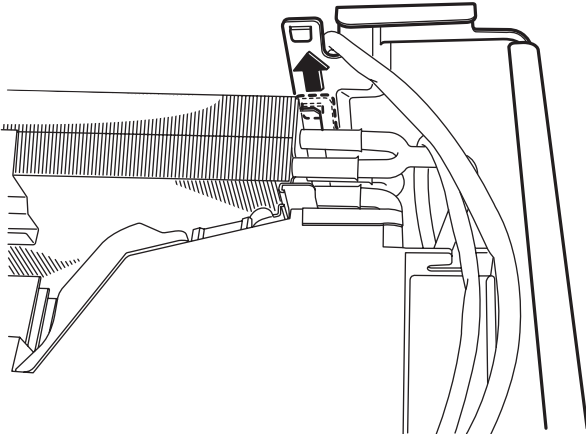
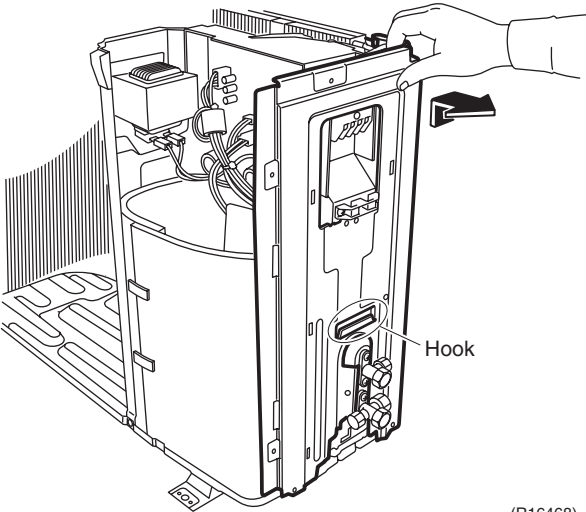
Step	Procedure	Points
2	Remove the outdoor fan.	<ul style="list-style-type: none"> When reassembling, align the ▼ mark of the outdoor fan with the D-cut section of the motor shaft.
3	Cut the clamp.	
4	Disconnect the connector for the fan motor [S70].	
5	Release the fan motor lead wire from the hook.	



Step	Procedure	Points
6	<p data-bbox="201 215 467 309">Remove the screw and remove the fan motor fixing frame.</p>  <p data-bbox="767 779 979 801">Fan motor fixing frame</p> <p data-bbox="1011 815 1082 837">(R17052)</p>  <p data-bbox="1011 1550 1082 1572">(R17053)</p>  <p data-bbox="1011 2011 1082 2033">(R7206)</p>	<p data-bbox="1098 1576 1453 1671">■ When reassembling, fit the lower hooks into the bottom frame.</p>

Step	Procedure	Procedure	Points
7	Open the 2 hooks and release the fan motor lead wire.	 <p>(R11835)</p>	<p>■ When reassembling, put the fan motor lead wire through the back of the fan motor so as not to be entangled with the outdoor fan.</p>  <p>Lead wire Outdoor fan (R3249)</p>
8	Remove the 4 screws and remove the fan motor.	 <p>Fan motor (R17133)</p>	
4.	Remove the right side panel.	 <p>(R7207)</p>	
1	Remove the 2 screws on the rear side.		

Step		Procedure	Points
2	Release the outdoor temperature thermistor.	 <p>Outdoor temperature thermistor</p> <p>(R7208)</p>	
3	Lift up the guard net and remove it.	 <p>Guard net</p> <p>(R7209)</p>	
4	Remove the 4 screws on the right side panel.	 <p>Right side panel</p> <p>(R7210)</p>	

Step	Procedure	Points
5	<p>Remove the screw near the stop valves.</p>  <p>(R16467)</p>	
6	<p>Unfasten the hook on the rear side.</p>  <p>(R7212)</p>	<p>■ When reassembling, make sure to fit the hook.</p>
7	<p>Lift up the right side panel and remove it.</p>  <p>(R16468)</p>	<p>■ When reassembling, make sure to fit the hook.</p>

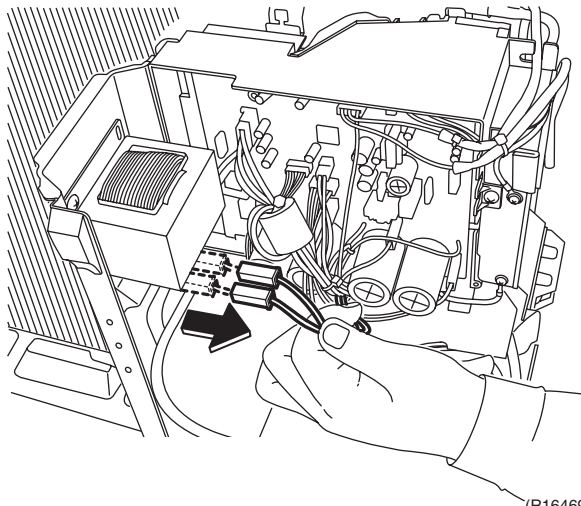
2. Removal of Electrical Box

Procedure

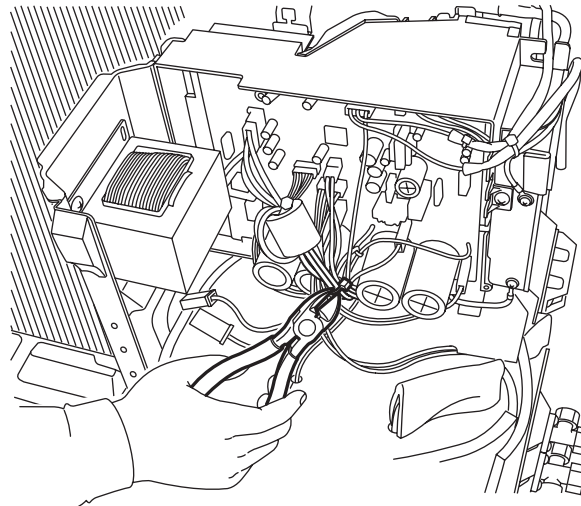


Warning Be sure to wait for 10 minutes or more after turning off all power supplies before disassembling work.

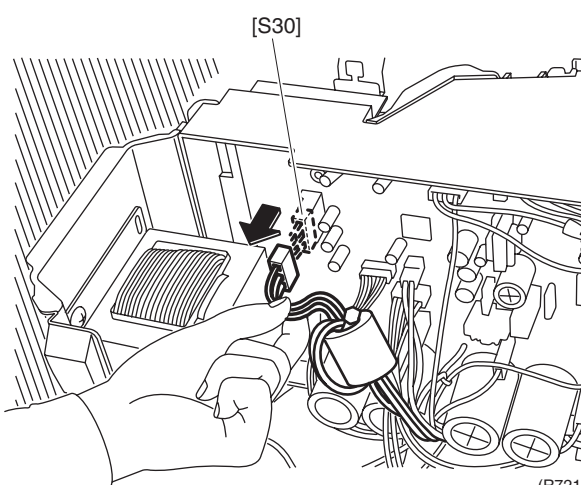
Step	Procedure	Points
1	Disconnect the 2 connectors for the reactor.	<p>Preparation</p> <ul style="list-style-type: none"> Remove the outer panels and disconnect the connector for the fan motor according to the "Removal of Outer Panels / Fan Motor".
2	Cut the clamp.	<ul style="list-style-type: none"> Some models do not have the clamp.
3	Disconnect the connector for the compressor [S30].	<ul style="list-style-type: none"> When reassembling, coil the excessive lead wire and hang the loop on the hook.



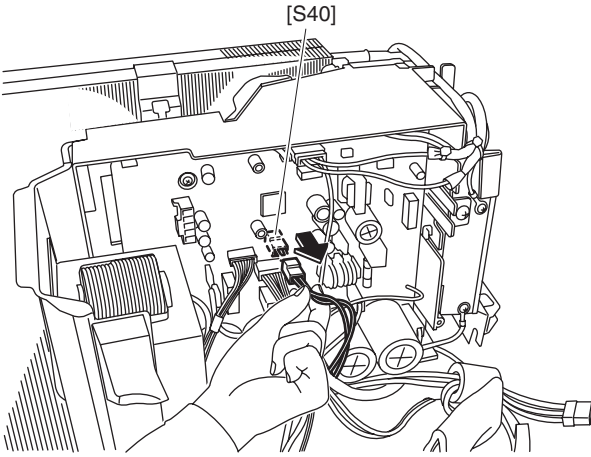
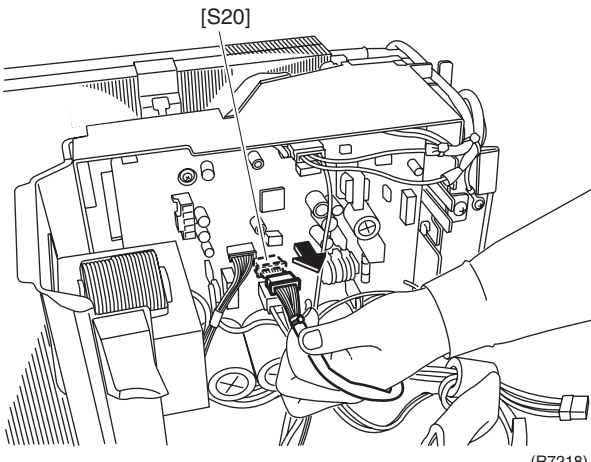
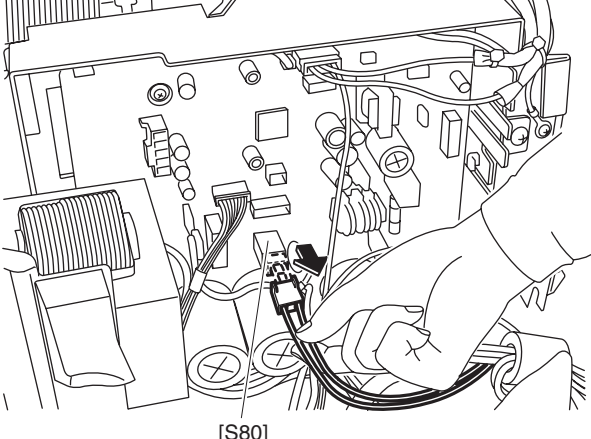
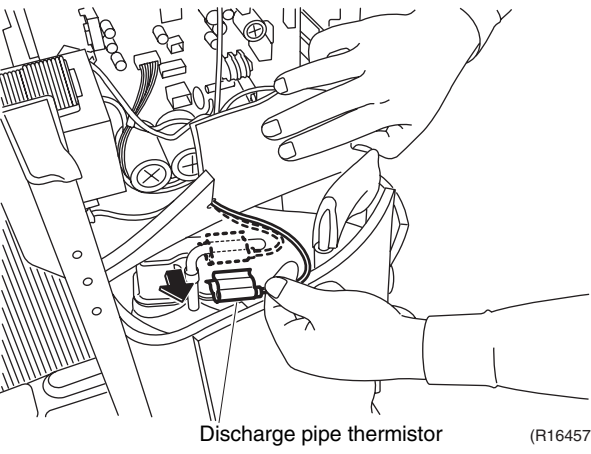
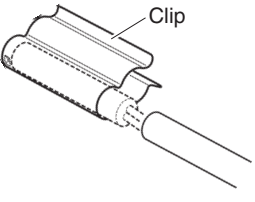
(R16469)

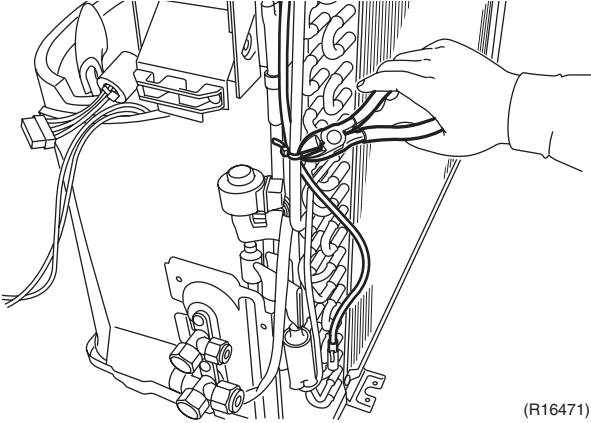
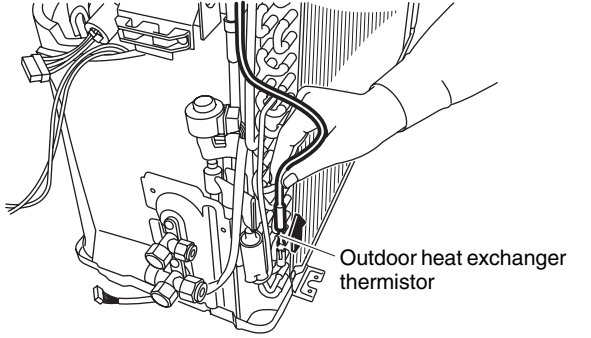
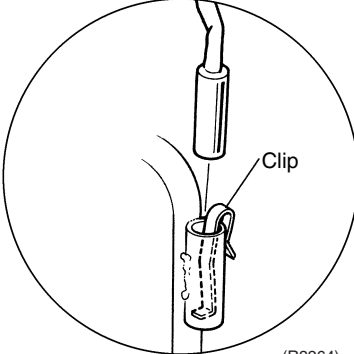
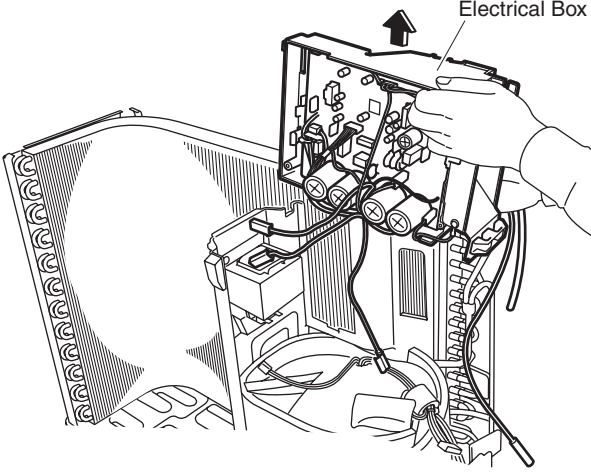


(R16470)



(R7216)

Step	Procedure	Points
4	<p>Disconnect the connector for the overload protector [S40].</p> 	
5	<p>Disconnect the connector for the electronic expansion valve coil [S20].</p> 	<ul style="list-style-type: none"> ■ When reassembling, connect the connectors in the following order. <ol style="list-style-type: none"> (1) [S80] (2) [S20] (3) [S40] (4) [S30] (5) reactor
6	<p>Disconnect the connector for the four way valve coil [S80].</p> 	<ul style="list-style-type: none"> ■ The cooling only models do not have the harness for [S80].
7	<p>Release the discharge pipe thermistor.</p>  <p style="text-align: center;">Discharge pipe thermistor (R16457)</p>	<ul style="list-style-type: none"> ■ Be careful not to lose the clip for the thermistor.  <p style="text-align: right;">Clip (R12279)</p>

Step	Procedure	Points
8	<p>Cut the clamp.</p>  <p>(R16471)</p>	
9	<p>Pull out the outdoor heat exchanger thermistor.</p>  <p>Outdoor heat exchanger thermistor</p> <p>(R16472)</p>	<p>■ Be careful not to lose the clip for the thermistor.</p>  <p>Clip</p> <p>(R3264)</p>
10	<p>Lift and remove the electrical box.</p>  <p>Electrical Box</p> <p>(R16473)</p>	

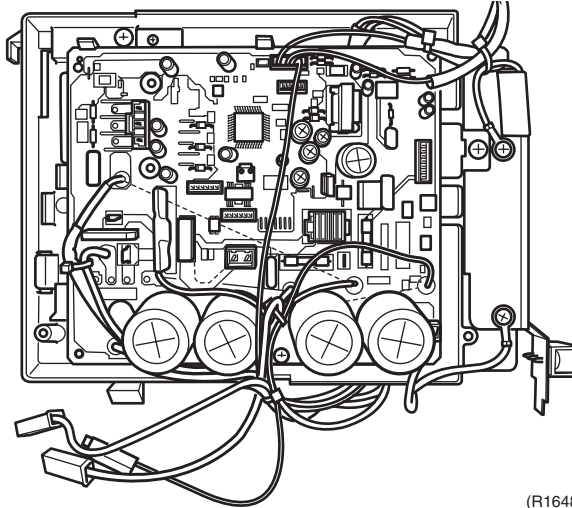
3. Removal of PCB

Procedure

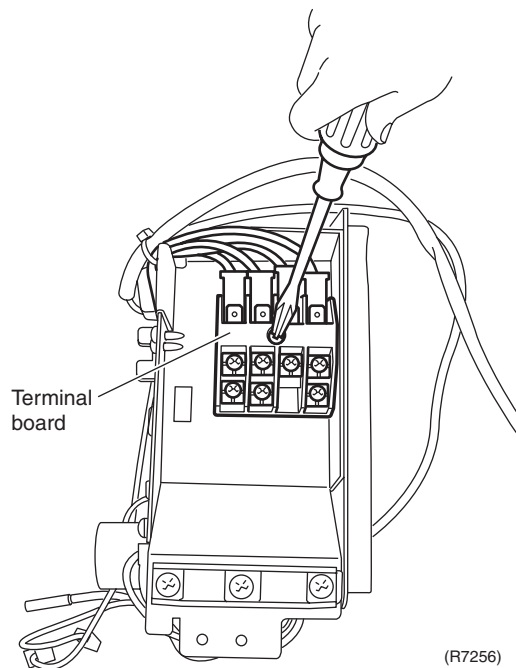


Warning Be sure to wait for 10 minutes or more after turning off all power supplies before disassembling work.

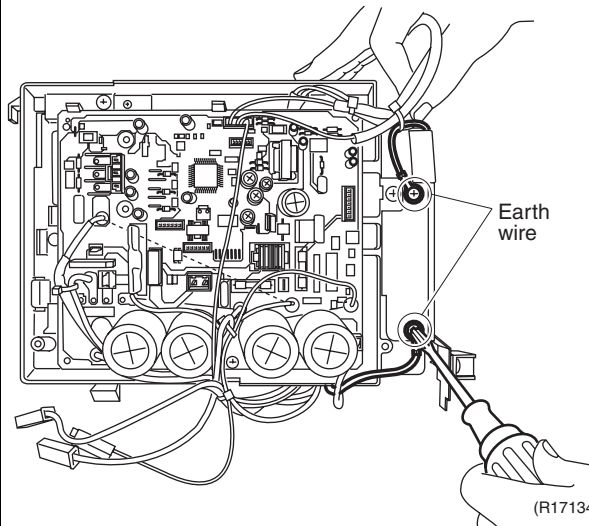
Step	Procedure	Points
1	Feature of the main PCB	<ul style="list-style-type: none"> You can remove the main PCB when you disconnect the lead wires on the terminal board without removing the electrical box.
2	Remove the screw on the terminal board.	
3	Remove the 2 screws and detach the earth wires.	



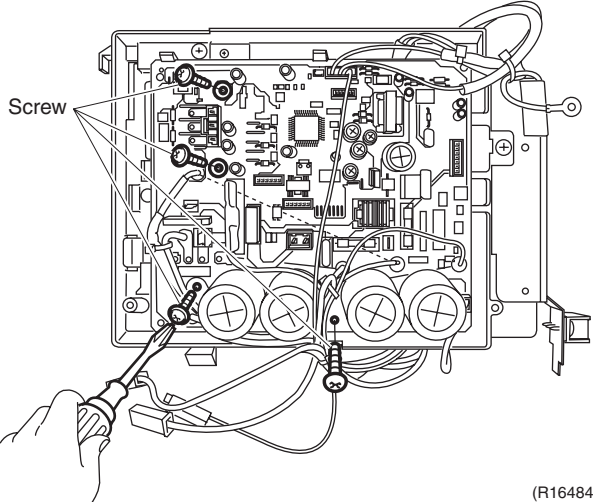
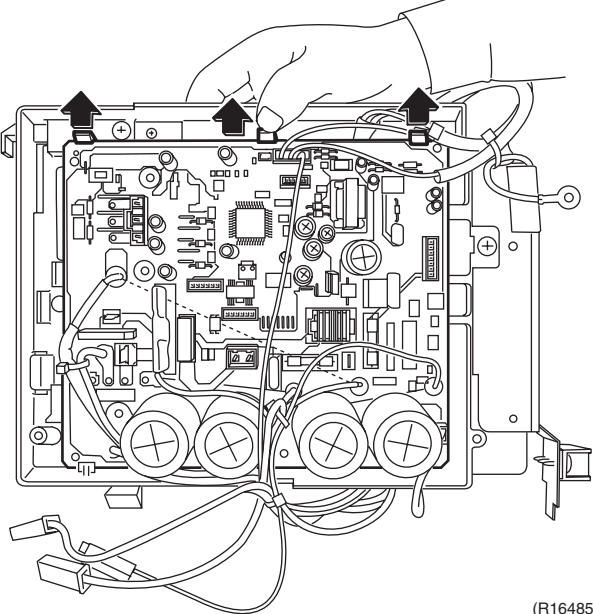
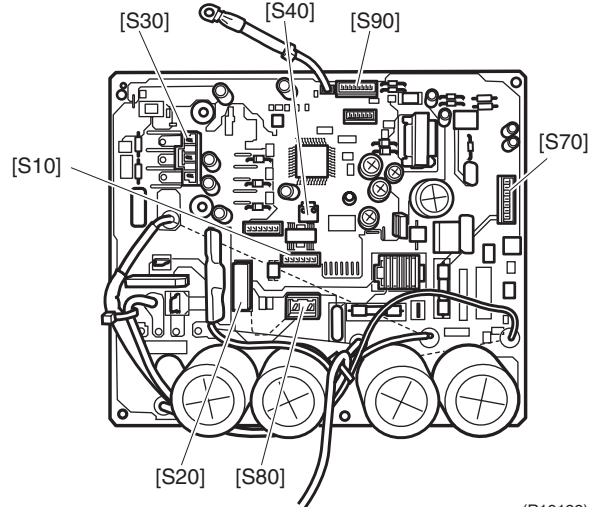
(R16482)



(R7256)



(R17134)

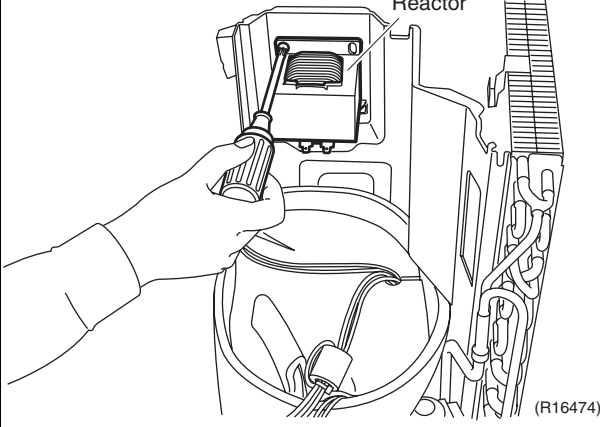
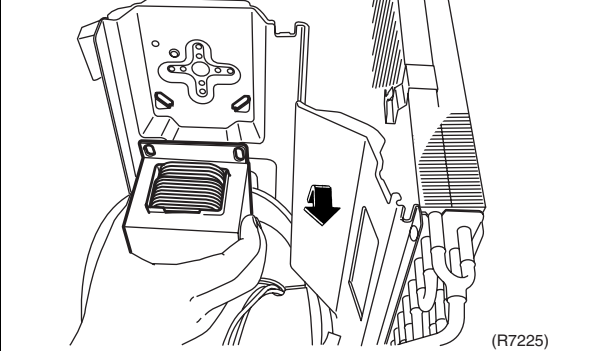
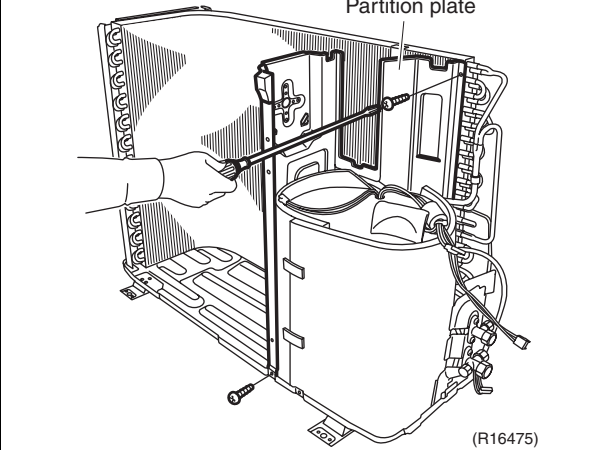
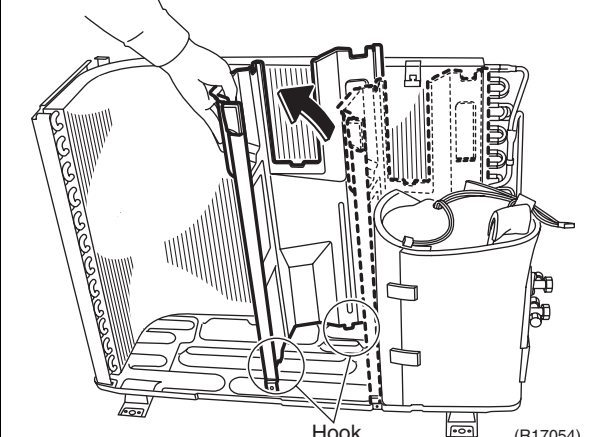
Step	Procedure	Points
4	<p>Remove the 4 screws.</p>  <p style="text-align: right;">(R16484)</p>	
5	<p>Unfasten the 3 hooks on the upper side.</p>	
6	<p>Lift and pull out the main PCB.</p>  <p style="text-align: right;">(R16485)</p>  <p style="text-align: right;">(R19122)</p>	<p>[S10]: filter PCB [S20]: electronic expansion valve coil [S30]: compressor [S40]: overload protector [S70]: fan motor [S80]: four way valve coil [S90]: thermistors</p>

4. Removal of Reactor / Partition Plate

Procedure



Warning Be sure to wait for 10 minutes or more after turning off all power supplies before disassembling work.

Step	Procedure	Points
<p>1. Remove the reactor.</p> <p>1 Remove the screw and remove the reactor.</p>	 	<p>Preparation</p> <ul style="list-style-type: none"> ■ Remove the outer panels according to the "Removal of Outer Panels / Fan Motor". ■ Remove the electrical box according to the "Removal of Electrical Box".
<p>2. Remove the partition plate.</p> <p>1 Remove the 2 screws.</p> <p>2 The partition plate has 2 hooks on the lower side. Lift and pull the partition plate to remove.</p>	 	<ul style="list-style-type: none"> ■ When reassembling, fit the lower hooks into the bottom frame.

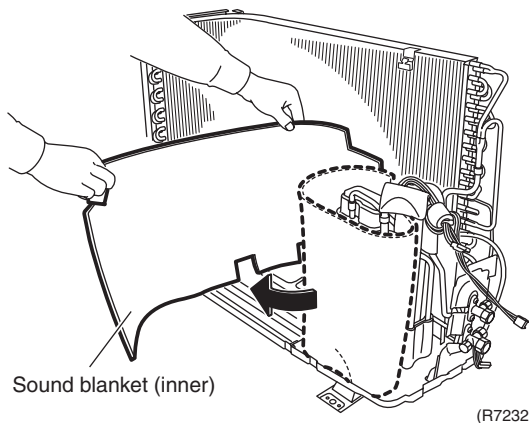
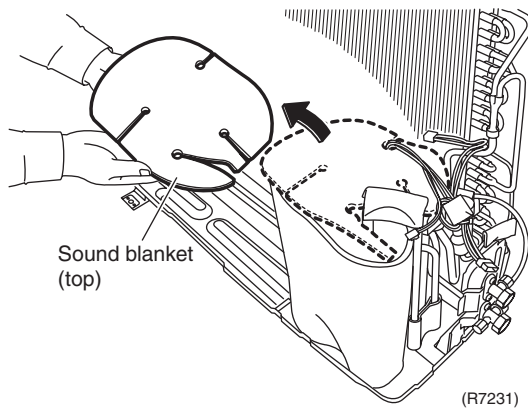
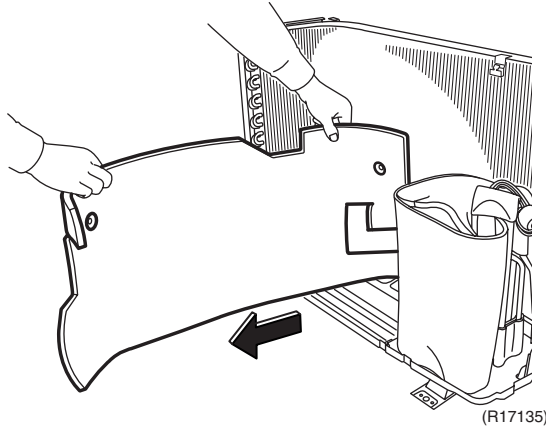
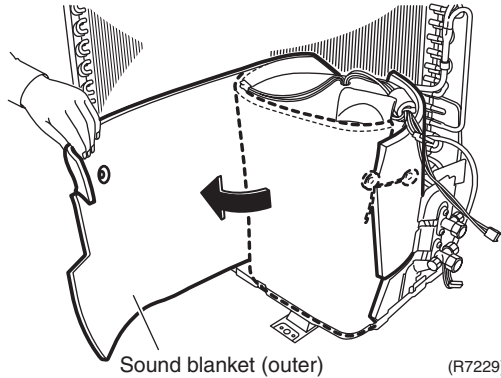
5. Removal of Sound Blankets

Procedure



Warning Be sure to wait for 10 minutes or more after turning off all power supplies before disassembling work.

Step	Procedure	Points
1	Open the sound blanket (outer).	<p>Preparation</p> <ul style="list-style-type: none"> ■ Remove the outer panels according to the "Removal of Outer Panels / Fan Motor". ■ Remove the electrical box according to the "Removal of Electrical Box". ■ The design of the sound blankets varies depending on the model.
2	Lift and remove the sound blanket (outer).	<ul style="list-style-type: none"> ■ Since the piping ports are torn easily, remove the sound blanket carefully.
3	Remove the sound blanket (top).	
4	Open and pull the sound blanket (inner) out.	

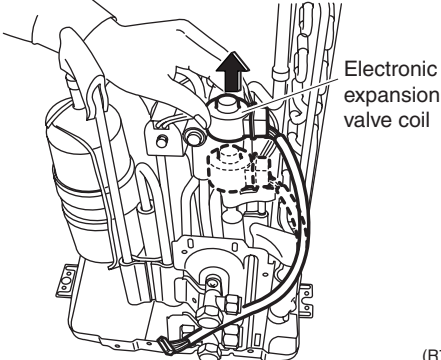
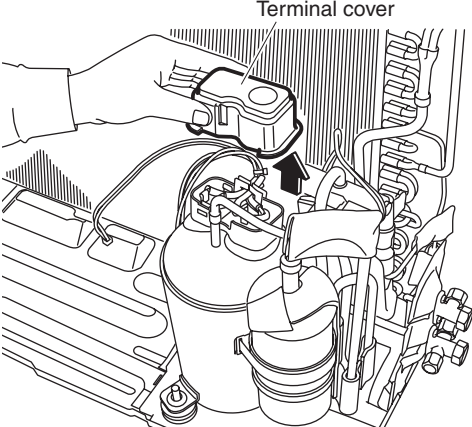
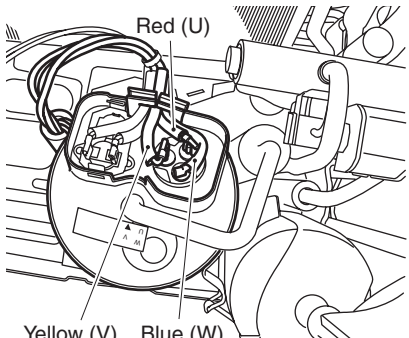
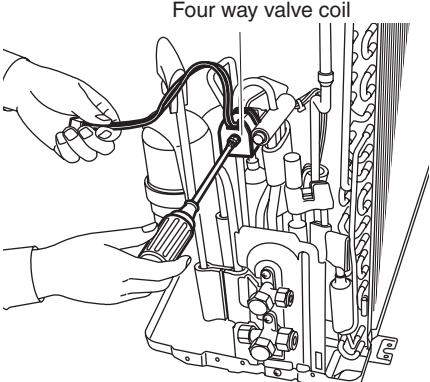


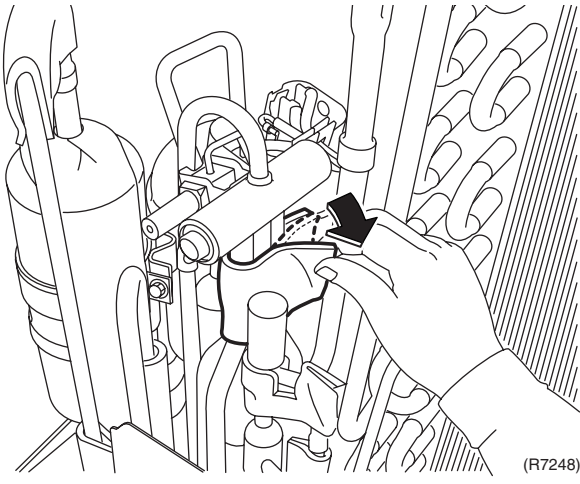
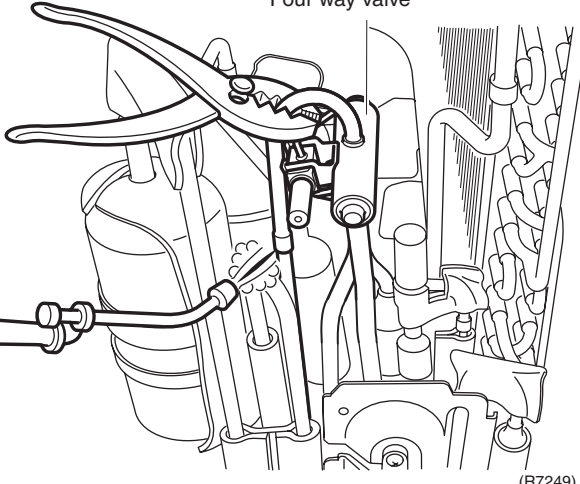
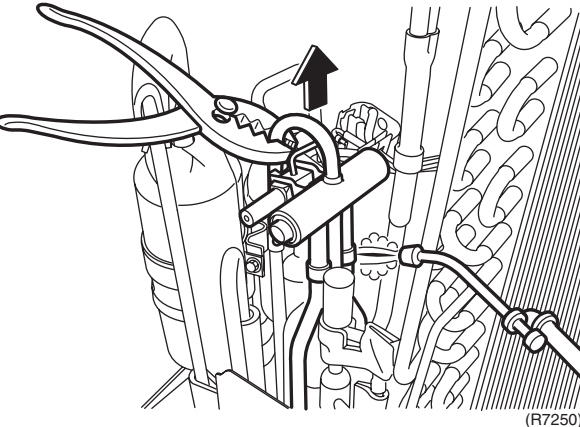
6. Removal of Four Way Valve

Procedure



Warning Be sure to wait for 10 minutes or more after turning off all power supplies before disassembling work.

Step	Procedure	Procedure	Points
1	Pull out the electronic expansion valve coil.	 <p style="text-align: right;">(R7233)</p>	<ul style="list-style-type: none"> ■ The cooling only models do not have a four way valve.
2	Remove the terminal cover.	 <p style="text-align: right;">(R7234)</p>	
3	Disconnect the lead wires of the compressor.	 <p style="text-align: right;">(R7235)</p>	
4	Remove the screw and remove the four way valve coil.	 <p style="text-align: right;">(R7247)</p>	

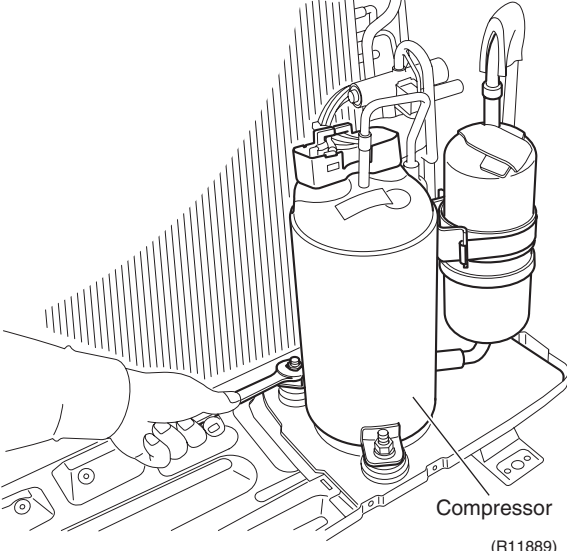
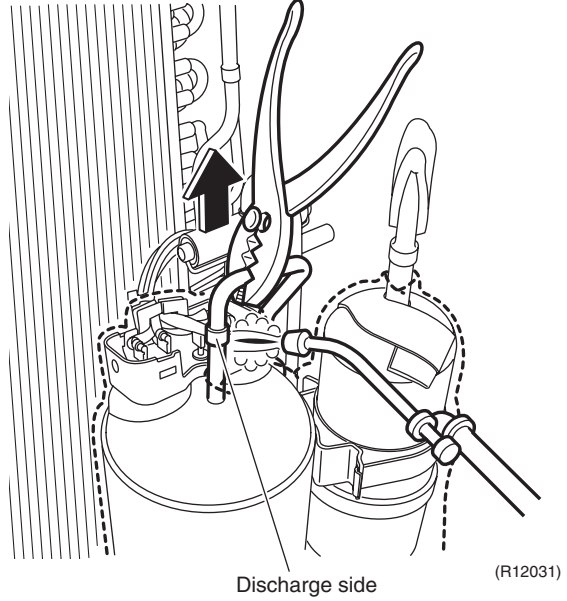
Step	Procedure	Points
5	<p>Remove the sheets of putty.</p>  <p style="text-align: right;">(R7248)</p>	<p>Warning Be careful not to get yourself burnt with the pipes and other parts that are heated by the gas brazing machine.</p> <p>Warning If the refrigerant gas leaks during work, ventilate the room. (If the refrigerant gas is exposed to flames, toxic gas may be generated.)</p> <p>Caution From the viewpoint of global environment protection, do not discharge the refrigerant gas in the atmosphere. Make sure to collect all the refrigerant gas.</p>
<ul style="list-style-type: none"> ■ Before working, make sure that the refrigerant gas is empty in the circuit. ■ Be sure to apply nitrogen replacement when heating up the brazed part. 	<p style="text-align: center;">Four way valve</p>  <p style="text-align: right;">(R7249)</p>	<p>Cautions for restoration</p> <ol style="list-style-type: none"> 1. Restore the piping by non-oxidation brazing. 2. It is required to prevent the carbonization of the oil inside the four way valve and the deterioration of the gaskets affected by heat. (Keep below 120°C.) For the sake of this, wrap the four way valve with wet cloth and provide water so that the cloth does not dry.
6	<p>Heat up the brazed part and withdraw the piping with pliers.</p> <p>Note:</p> <ul style="list-style-type: none"> ■ Never use a metal saw to cut pipes because the sawdust may enter the circuit. ■ When withdrawing the pipes, be careful not to pinch them firmly with pliers. The pipes may get deformed. ■ Provide a protective sheet or a steel plate so that the brazing flame cannot influence peripheries.  <p style="text-align: right;">(R7250)</p>	<p>In case of difficulty with gas brazing machine</p> <ol style="list-style-type: none"> 1. Disconnect the brazed part where is easy to disconnect and restore. 2. Cut pipes on the main unit with a tube cutter in order to make it easy to disconnect.

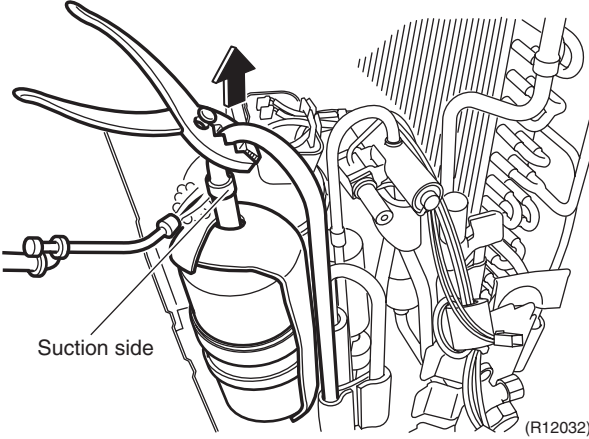
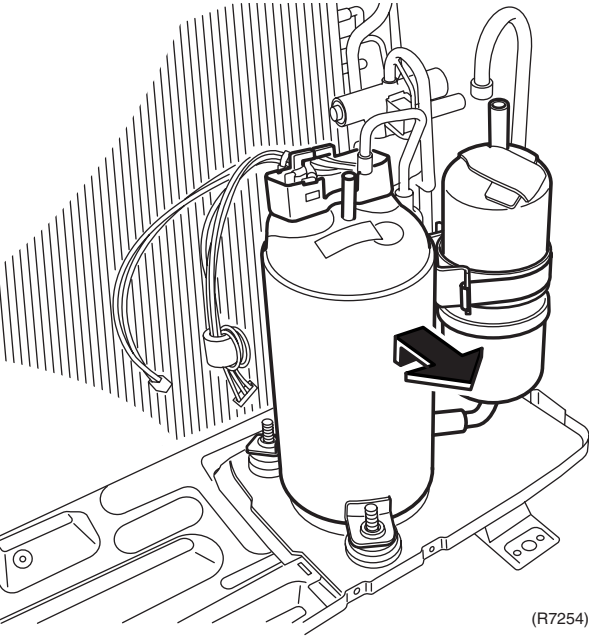
7. Removal of Compressor

Procedure



Warning Be sure to wait for 10 minutes or more after turning off all power supplies before disassembling work.

Step	Procedure	Points
<p>1 Remove the 2 nuts of the compressor.</p> <ul style="list-style-type: none"> ■ Before working, make sure that the refrigerant gas is empty in the circuit. ■ Be sure to apply nitrogen replacement when heating up the brazed part. 		<p>Warning Be careful not to get yourself burnt with pipes and other parts that are heated by the gas brazing machine.</p> <p>Warning If the refrigerant gas leaks during work, ventilate the room. (If the refrigerant gas is exposed to flames, toxic gas may be generated.)</p> <p>Warning Since it may happen that the refrigerant oil in the compressor catches fire, prepare wet cloth so as to extinguish fire immediately.</p> <p>Caution From the viewpoint of global environment protection, do not discharge the refrigerant gas in the atmosphere. Make sure to collect all the refrigerant gas.</p>
<p>2 Heat up the brazed part of the discharge side and disconnect it.</p>		<p>Cautions for restoration</p> <ol style="list-style-type: none"> 1. Restore the piping by non-oxidation brazing. 2. It is required to prevent the carbonization of the oil inside the four way valve and the deterioration of the gaskets affected by heat. (Keep below 120°C.) For the sake of this, wrap the four way valve with wet cloth and provide water so that the cloth does not dry. <p>In case of difficulty with gas brazing machine</p> <ol style="list-style-type: none"> 1. Disconnect the brazed part where is easy to disconnect and restore. 2. Cut pipes on the main unit with a tube cutter in order to make it easy to disconnect.

Step	Procedure	Points
3	<p>Heat up the brazed part of the suction side and disconnect it.</p>  <p style="text-align: right;">(R12032)</p>	<p>Note:</p> <ul style="list-style-type: none"> ■ Never use a metal saw to cut pipes because the sawdust may enter the circuit. ■ When withdrawing the pipes, be careful not to pinch them firmly with pliers. The pipes may get deformed. ■ Provide a protective sheet or a steel plate so that the brazing flame cannot influence peripheries.
4	<p>Lift the compressor up and remove it.</p>  <p style="text-align: right;">(R7254)</p>	<ul style="list-style-type: none"> ■ Be careful so as not to burn the compressor terminals, the name plate, the heat exchanger fins.

Revision History

Month / Year	Version	Revised contents
06 / 2013	Si00-871	First edition

Warning



- Daikin products are manufactured for export to numerous countries throughout the world. Prior to purchase, please confirm with your local authorised importer, distributor and/or retailer whether this product conforms to the applicable standards, and is suitable for use, in the region where the product will be used. This statement does not purport to exclude, restrict or modify the application of any local legislation.
- Ask a qualified installer or contractor to install this product. Do not try to install the product yourself. Improper installation can result in water or refrigerant leakage, electrical shock, fire or explosion.
- Use only those parts and accessories supplied or specified by Daikin. Ask a qualified installer or contractor to install those parts and accessories. Use of unauthorised parts and accessories or improper installation of parts and accessories can result in water or refrigerant leakage, electrical shock, fire or explosion.
- Read the User's Manual carefully before using this product. The User's Manual provides important safety instructions and warnings. Be sure to follow these instructions and warnings.

If you have any enquiries, please contact your local importer, distributor and/or retailer.

Cautions on product corrosion

1. Air conditioners should not be installed in areas where corrosive gases, such as acid gas or alkaline gas, are produced.
2. If the outdoor unit is to be installed close to the sea shore, direct exposure to the sea breeze should be avoided. If you need to install the outdoor unit close to the sea shore, contact your local distributor.

Dealer

DAIKIN INDUSTRIES, LTD.

Head Office:
Umeda Center Bldg., 2-4-12, Nakazaki-Nishi,
Kita-ku, Osaka, 530-8323 Japan

Tokyo Office:
JR Shinagawa East Bldg., 2-18-1, Konan,
Minato-ku, Tokyo, 108-0075 Japan

http://www.daikin.com/global_ac/

©All rights reserved